



Disclaimer

This user manual is provided as a free service by FixYourDLP.com. FixYourDLP is in no way responsible for the content of this manual, nor do we guarantee its accuracy. FixYourDLP does not make any claim of copyright and all copyrights remain the property of their respective owners.

About FixYourDLP.com

FixYourDLP.com (<http://www.fixyourdpl.com>) is the World's #1 resource for media product news, reviews, do-it-yourself guides, and manuals.

Informational Blog: <http://www.fixyourdpl.com>

Video Guides: <http://www.fixyourdpl.com/guides>

User Forums: <http://www.fixyourdpl.com/forum>

FixYourDLP's Fight Against Counterfeit Lamps:

<http://www.fixyourdpl.com/counterfeits>

Sponsors:

RecycleYourLamp.org – Free lamp recycling services for used lamps:

<http://www.recycleyourlamp.org>

Lamp Research - The trusted 3rd party lamp research company:

<http://www.lampresearch.com>

Discount-Merchant.com – The worlds largest lamp distributor:

<http://www.discount-merchant.com>

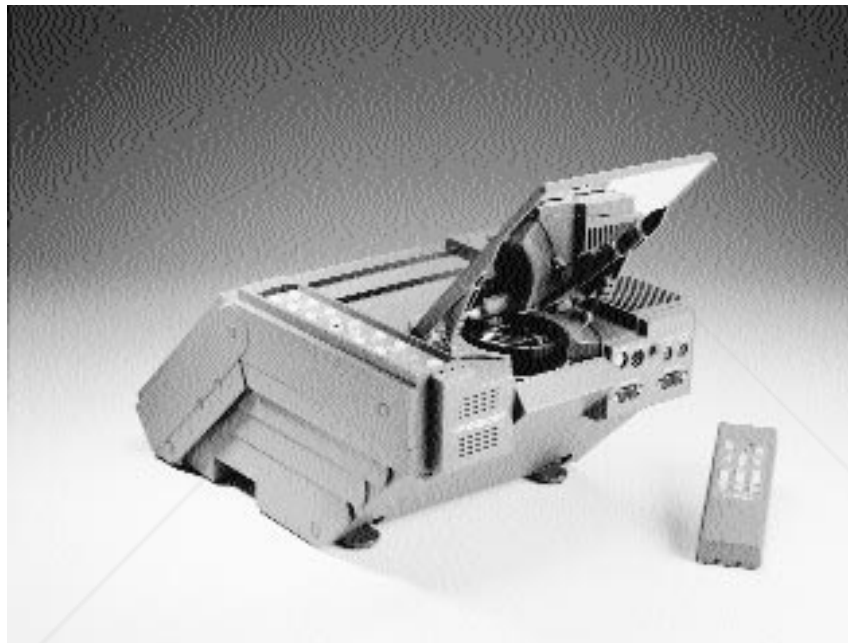


FixYourDLP.com

Sponsored by 

◆Polaroid

Polaview SuperPortable 10



 FixYourDLP.com
Sponsored by 

Discount-Merchant.com (800) 281-8860
THE TRUSTED SOURCE FOR PROJECTOR LAMPS AND ACCESSORIES

FCC Statement

Warning: This equipment generates, uses and can radiate radio frequency energy and, if not installed and used in accordance with the instruction manual, may cause interference to radio communications. It has been tested and found to comply with limits for a Class "A" computing device pursuant to Subpart B of Part 15 of the FCC Rules, which are designed to provide reasonable protection against such interference when operated in a commercial environment. Operation of this equipment in a residential area is likely to cause interference in which case the user, at his own expense, will be required to take whatever measures may be necessary to correct the interference.

Warning: Changes or modifications to this unit not expressly approved by Polaroid could void the user's authority to operate the equipment.

Canadian Notice

This digital apparatus does not exceed the Class A limits for radio noise emissions from digital apparatus set out in the Radio Interference Regulations of the Canadian Department of Communications.

Le présent appareil numérique n'émet pas de bruits radioélectriques dépassant les limites applicables aux appareils numériques de la classe A prescrites dans le Règlement sur le brouillage radioélectrique édicté par le ministère des Communications du Canada.

European Notice

Warning: This is a Class A product. In a domestic environment this product may cause radio interference in which case the user may be required to take adequate measures. The "CE" mark certifies that this product satisfies the requirements of the EU (European Union) regarding safety, public health, environment and consumer protection. ("CE" is the abbreviation of Conformité Européenne.) This product is in conformity with the following directives: 73/23/EEC, low voltage directive; 89/33/EEC, EMC directive; 93/68/EEC, "CE" marking directive.



© Copyright 1996 Polaroid Corporation. All rights reserved.
Specifications are subject to change without notice.

Discount-Merchant.com (800) 281-8860
THE TRUSTED SOURCE FOR PROJECTOR LAMPS AND ACCESSORIES

Table of contents

1 Introduction

What's in the box?	3
Important safety instructions	5

2 Detailed setup

Your Polaview SuperPortable 10 Projector	9
Getting started	9
Connecting the projector	19
Turning on the projector and lamp	16

3 Using the projector

Using your Polaview SuperPortable 10 LCD Projector	19
Control-panel keys	20
The remote control	23
Menu-mode on-screen controls	24
Illuminated indicators	27

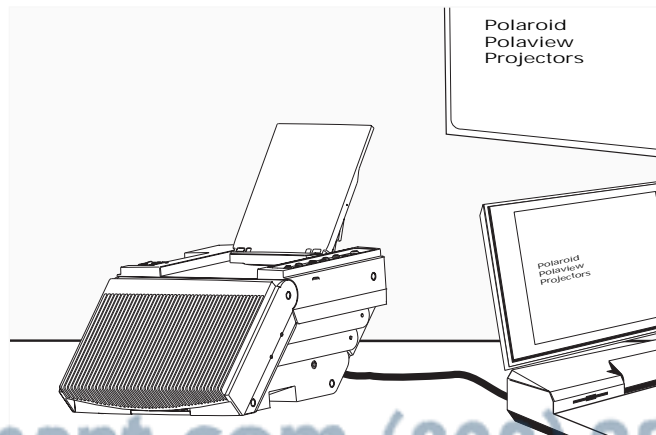
<i>4 Maintenance</i>	
Transporting and storing the projector	29
Cleaning the lens	30
Replacing the lamp	31
Replacing the fuse	34
Changing the remote-control battery	35
<i>5 Troubleshooting</i>	
Troubleshooting guide	39
Where to get help	43
Polaroid Offices and Service Centers	44
One Year Warranty	46
<i>Appendix A: Specifications</i>	49
<i>Appendix B: Parts</i>	51
<i>Appendix C: Abbreviations</i>	53
<i>Index</i>	55

1 Introduction

The Polaroid Polaview projector family consists of portable, color data and video LCD desktop projectors that make sharing data and presenting information as easy as connecting your computer to your monitor.

The Polaview SuperPortable 10 LCD Projector is a full-color compact LCD projection system ideal for displaying a computerized multi-media presentation. The built-in amplifier and speakers let you play sound from a portable CD player or to the auxiliary output of a stereo system. The projector also lets you display video output from a VCR or LaserDisc player.

*The Polaview
SuperPortable 10
LCD Projector
in operation*



 FixYourDLP.com
Sponsored by 

Discount-Merchant.com (800) 281-8860
THE TRUSTED SOURCE FOR PROJECTOR LAMPS AND ACCESSORIES

The projector has a monitor-interface connector that lets you view your computer video simultaneously on both the small and large screens.

You can connect the projector to any IBM or IBM compatible computer equipped with a VGA video output. You can also connect it to any Apple Macintosh computer that is equipped with a standard Macintosh video output.

The projector uses advanced thin-film-transistor liquid crystal display (TFT LCD) technology and is capable of displaying up to 16,194,277 colors. The fast response time of the TFT LCD lets the projector display sharp, clear, fast-moving images.

The liquid crystal display is a matrix of 921,600 pixels arranged in 480 rows and 640 columns. Each pixel is a single thin-film transistor that actively controls the brightness of the light that passes through the pixel.

When you turn on the projector, you also turn on the built-in fans that prevent the projector from overheating.

The control panel and on-screen controls let you change the video source or make adjustments to the projected color image and sound.

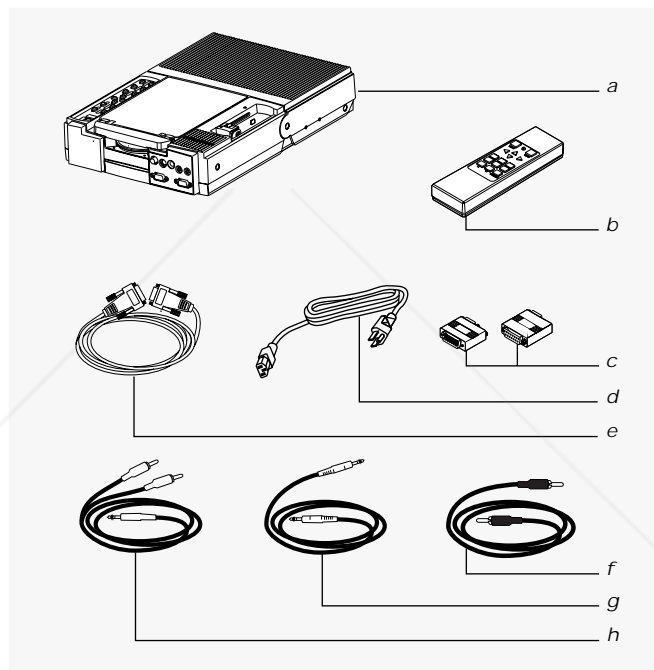


Discount-Merchant.com (800) 281-8860
THE TRUSTED SOURCE FOR PROJECTOR LAMPS AND ACCESSORIES

What's in the box?

After you open the box and remove the projector and accessories, make sure you have all of the items shown below.

Items included with the Polaview SuperPortable 10 LCD Projector



- a Polaview SuperPortable 10 LCD Projector
- b RC-8 remote control
- c Macintosh computer and monitor adapters
- d Power cord (110V units only)
- e VGA 9 ft. computer cable
- f PC video cable
- g 3.5mm stereo audio cable
- h Dual RCA audio cable

Also included but not shown

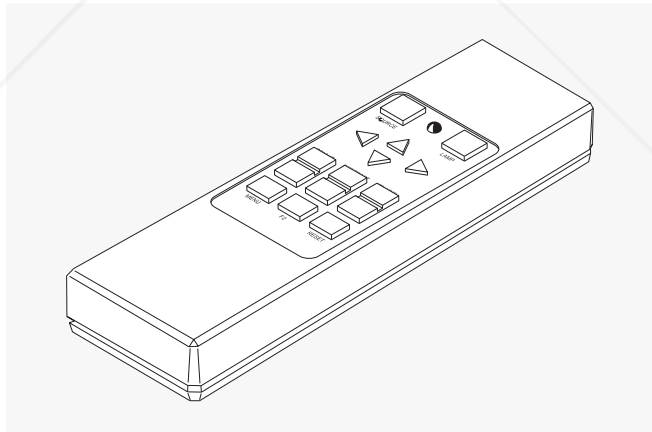
- This user's guide
- Quick reference guide
- Soft carrying case
- Product-registration card

Replacement parts

If you need replacement parts for your projector, contact Polaroid or an authorized dealer. Do not attempt to use unauthorized replacement parts as they may increase the risk of fire, electric shock, or other hazards. See *Appendix B, Parts*, for a complete list of replacement parts, accessories, and the appropriate order numbers.

The remote control

The RC-8 remote control is specifically designed for use with the SuperPortable 10 projector. It provides remote control of all the projector control-panel and on-screen functions. For



detailed information about key functions, see Chapter 3, *Using the projector*.

Important safety instructions

<i>Cleaning</i>	Unplug the product from the wall outlet before cleaning any exterior surface. Follow the cleaning instructions in this manual. See Chapter 4, <i>Maintenance</i> .
<i>Water and spillage</i>	Do not use the projector near water. Avoid using the projector in an area where liquids can spill or where objects can fall onto it and come into contact with dangerous voltage points, possibly resulting in fire or electric shock.
<i>Ventilation</i>	The projector housing has vents to ensure reliable operation and prevention of overheating. When you operate the projector, do not cover or block these vents in any way.
<i>Power cord</i>	<p>Place the power-supply cord where no one can step on it or trip over it. Do not place objects on the power cord that can pinch or cut into the cord. Pay particular attention to power-cord connection points at wall outlets, convenience receptacles, and the projector input jack. If you must leave the projector unused or unattended for a period of time, shut the unit off and unplug the power cord from the wall outlet. This eliminates the risk of damage to the projector that can result from power surges and lightning storms.</p> <p><i>Warning:</i> Before you attempt to replace the projector lamp, to avoid the risk of electrical shock, unplug the power cord first from the AC wall outlet then from the projector AC power-input jack.</p>
<i>Overloading power</i>	Do not overload wall outlets, extension cords, or integral convenience receptacles as this can result in the risk of fire or electric shock.



Discount-Merchant.com (800) 281-8860
THE TRUSTED SOURCE FOR PROJECTOR LAMPS AND ACCESSORIES

Service

Whenever you open or remove the projector covers, you expose yourself to dangerous voltage. Do not attempt to service the product beyond what is described in Chapter 4, *Maintenance*, of this user's guide. Contact qualified service personnel for any other servicing. See the list of Polaroid Service Centers in Chapter 5, *Troubleshooting*.

Should the projector sustain damage, unplug the power cord from the wall outlet immediately. Contact qualified service personnel when the following situations occur:

- Damage to the power cord or plug
- Damage resulting from an object falling onto the projector or from a liquid spilling into the projector
- Damage from exposure to water, moisture, rain
- Damage resulting from dropping the projector
- Irregular, inconsistent, or poor performance



Discount-Merchant.com (800) 281-8860
THE TRUSTED SOURCE FOR PROJECTOR LAMPS AND ACCESSORIES

2 Detailed setup

Your Polaview SuperPortable 10 LCD Projector

This chapter is a detailed description of the setup for your Polaview SuperPortable 10 LCD Projector.

Unpack the projector and identify the package contents. Check to be sure you have all the items listed in *What's in the box?* in Chapter 1, *Introduction*. Contact your Polaroid dealer if anything is missing or damaged.

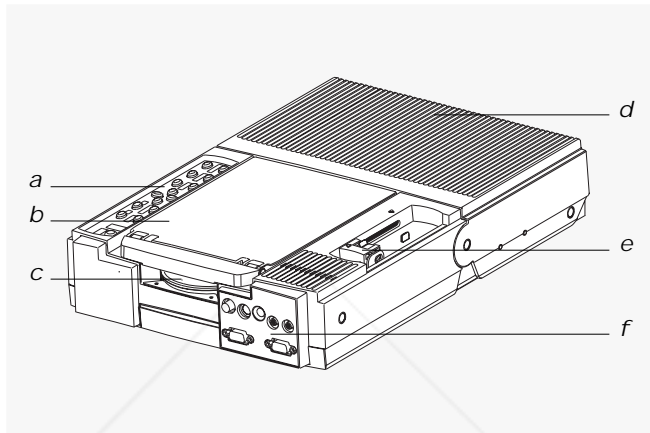
Note: The 550093-002 and 550093-003 adapters are for use with Macintosh multisync monitors. (Polaview part numbers 550093-000 and 550093-001 are for use with non-multisync Macintosh monitors.) To obtain the 550093-002 and 550093-003 adapters, contact Polaroid.



Discount-Merchant.com (800) 281-8860
THE TRUSTED SOURCE FOR PROJECTOR LAMPS AND ACCESSORIES

Before you begin, take a moment to identify the parts of the projector.

*The Polaview
SuperPortable
10 LCD Projector,
shown closed*

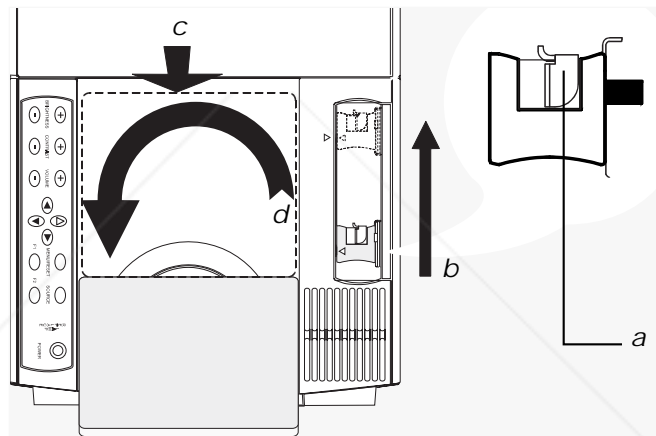


- a Control panel
- b Mirror
- c Projection lens
- d Rear vents
- e Projector locking mechanism
- f Connector panel

Getting started

- 1 Place the projector on a solid, flat surface.
- 2 Turn off all equipment.
- 3 Release the projector locking mechanism (a) and slide it in the direction of the arrow (b) in the illustration below.

Opening the projector

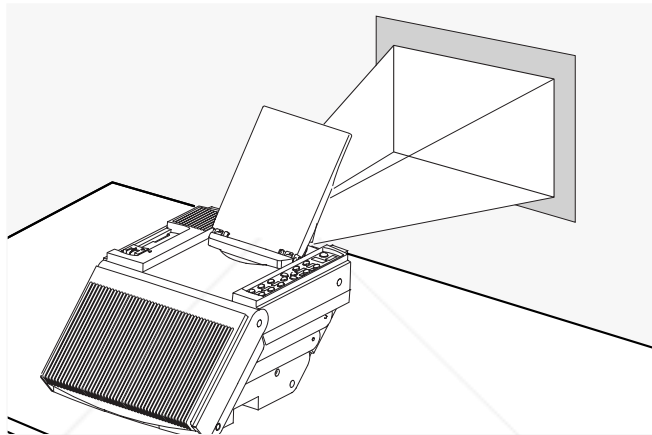


- 4 Raise the mirror (c) and, at the same time, rotate it (d) as shown in the illustration above.

Note: When you raise the mirror, be careful not to stick your fingers under it so as to avoid getting fingerprints on the glass surface.

When fully raised, the mirror should tilt upward at a approximately a 45 degree angle from the top of the projector, as shown below.

Positioning the projector in front of the projection screen



Note: Ensure that nothing is blocking the projector vents. The projector takes in cool air through vents on both sides. It expels hot air from vents at the rear of the projector.

Image size

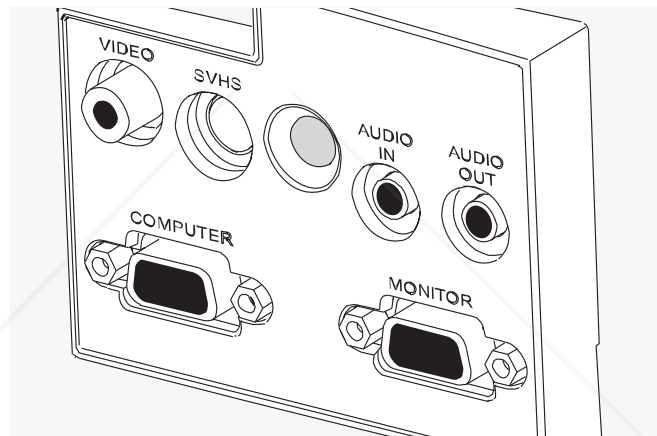
The size of the projected image depends on the distance between the projector and the projection screen. The following table shows the projected image size, measured diagonally, based on this distance.

<i>Distance between projector and screen</i>	<i>Image width</i>	<i>Image height</i>
4 ft/1.2 m	4.2 ft/1.3 m	3.1 ft/0.9 m
5 ft/1.5 m	5.1 ft/1.6 m	3.9 ft/1.2 m
6 ft/1.8 m	6.2 ft/1.9 m	4.7 ft/1.4 m
7 ft/2.1 m	7.2 ft/2.2 m	5.4 ft/1.6 m

Connecting the projector

You must connect the projector to a video source, and to an AC wall outlet. In addition, you can also connect the projector to a computer monitor, an audio source, an additional (composite or S-VHS) video source, and an external amplified stereo speaker system.

The connector panel



Port	Connects to	Cable
VIDEO	Connects the projector to a LaserDisc or a VCR to bring video from these sources into the projector	PC video cable
S-VHS	Connects the projector to an S-video source to bring video into the projector	S-video cable

<i>Port</i>	<i>Connects to</i>	<i>Cable</i>
AUDIO IN	Connects to a VCR or LaserDisc to bring stereo audio into the projector	Stereo or dual RCA audio cable
AUDIO OUT	Connects to external speakers or an external sound system to send stereo audio out	Audio cable
COMPUTER	Connects to the computer to bring computer video into the projector	VGA computer cable
MONITOR	Connects a PC or Macintosh monitor to the projector for simultaneous display	Existing monitor cable



Discount-Merchant.com (800) 281-8860
THE TRUSTED SOURCE FOR PROJECTOR LAMPS AND ACCESSORIES

Basic setup

For basic setup, follow these steps:

- 1 Plug the projector into an AC wall outlet (the POWER button on the projector control panel starts to glow).
- 2 The projector has built-in speakers that can amplify audio input. Connect a stereo or mono audio source, such as the auxiliary output of an amplifier, CD player, tape player, VCR or LaserDisc to the AUDIO IN jack. Use either the 3.5mm stereo audio cable or the dual RCA audio cable.
- 3 If you wish, connect an external amplified, mono or stereo speaker system to the AUDIO OUT jack on the projector.

Note: When you plug a cable into the AUDIO OUT jack, you disable the built-in speakers of the projector.

- 4 You can connect a video source such as a VCR or LaserDisc player to the VIDEO jack on the projector. Use the PC video cable. If your video system has S-VHS capabilities, use the cable supplied with your video system to connect it to the S-VHS jack on the projector.



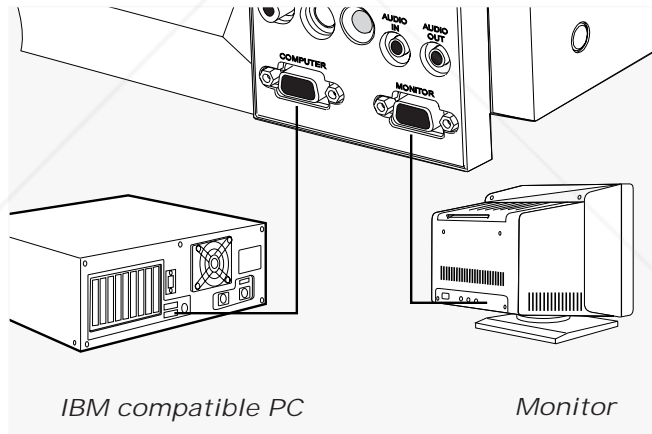
Discount-Merchant.com (800) 281-8860
THE TRUSTED SOURCE FOR PROJECTOR LAMPS AND ACCESSORIES

Connecting the projector to a PC

If you are using an IBM VGA computer, connect the computer to the projector by following these steps:

- 1 Unplug the monitor cable from the computer.
- 2 Plug one end of the supplied VGA computer cable into the video port of the computer.
- 3 Plug the other end of the VGA computer cable into the projector COMPUTER jack.
- 4 To use your computer monitor simultaneously with your projector, plug the computer monitor cable into the projector MONITOR jack.

PC connections



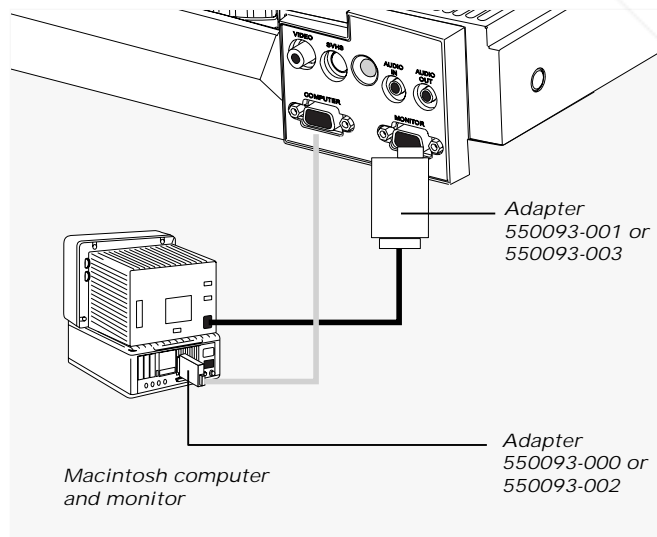
Connecting the projector to a Macintosh

If you are using a Macintosh computer, connect the computer to the projector by following these steps:

- 1 Unplug the monitor cable from the computer.
 - 2 Plug the adapter labeled either 550093-0 or 550093-2 into the monitor port of the computer.
 - 3 Plug one end of the supplied VGA computer cable into the adapter on the computer.
 - 4 Plug the other end of the VGA computer cable into the projector COMPUTER jack.
- e To use your computer monitor simultaneously with your projector, select the adapter labeled either 550093-1 or 550093-3. Plug the adapter into the projector MONITOR jack; plug the computer monitor cable into the adapter.

Note: Use the 550093-2 and 550093-3 adapters with a 12-inch Macintosh monitor, or a 15-inch Multisync monitor. These adapters are available as accessories. Contact your Polaroid dealer for information on ordering them.

Macintosh connections



Turning on the projector and lamp

Be sure that the projector is in the open position and that you have lifted and rotated the mirror to its proper position, as described in the previous chapter. Then follow these steps:

- 1 Press POWER on the control panel to turn on the projector. The control panel lights up and the projector lamp lights. (When you turn on the projector, the projector lamp lights automatically.) Initially the projection screen is blue. After initialization, the Polaroid logo appears.

Warning: To prevent burning yourself when you are operating the projector, avoid touching the lamp-access door and the surrounding area. The lamp-access door is on the bottom of the projector.

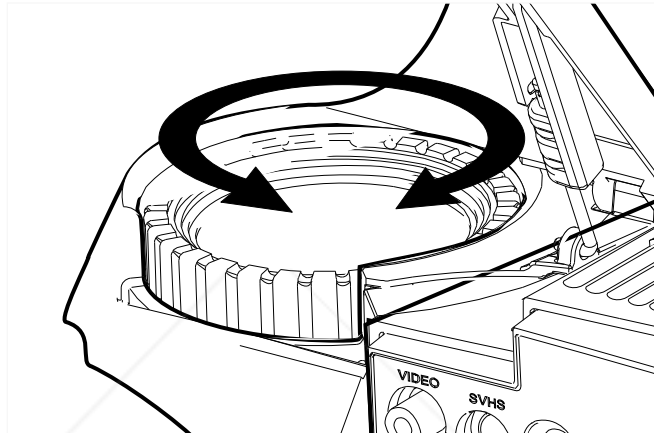
- 2 Turn on your computer. As you do so, the Polaroid logo disappears from the projection screen, and the computer screen image appears in its place.

Caution: The cooling fans protect the projector from heat generated by the projector lamp. Make sure never to block the air intake and exhaust vents. These vents are located on the top and on both sides of the projector.

- 3 Adjust the room lighting for optimum screen viewing.
- 4 Adjust the mirror angle to attain the best screen image. If you wish, you can press the POWER button to turn off the projector and lamp until the start of your presentation.

- 5 Adjust the screen focus by rotating the lens, as shown in the illustration below.

Focusing the projector



Note: If you let ten seconds elapse before before you unplug the projector from the AC wall outlet, the projector saves all control-panel and on-screen control settings.

- 6 For image phase adjustment, display a colorful image on the computer screen and select the on-screen FOCUS control. Note that it is easier to adjust the projector settings when it displays a colorful image.
- 7 Turn on your audio source (CD player, amplifier, auxiliary audio output, etc.).
- 8 Press VOLUME on the control panel to adjust the volume of the speakers built into the projector.

Note: If you have an external powered speaker system plugged into the AUDIO OUT jack, turn it on and adjust the volume of that external system. (VOLUME controls the sound level at the AUDIO OUT jack.)

- 9 Turn on and play the connected VCR, LaserDisc player, etc.
- 10 Press SOURCE on the projector control panel to select one of the video inputs.
- 11 To enhance or adjust the projected image, refer to the *Control-panel keys* and *Menu-mode on-screen controls* sections later in this chapter.

Note: After you adjust the settings, wait ten seconds for the projector to save the changes. The next time you turn on the your projector, it defaults to the new settings.

- 12 When you finish your presentation, press POWER to turn off the projector and lamp.
- 13 Let the projector cool down and wait for the fans to stop before you unplug the projector from the AC wall outlet.

Note: If you want to use your computer and monitor without disconnecting them from the projector, be sure that the projector remains plugged into an AC wall outlet. The MONITOR jack on the projector requires power to operate the computer monitor. You do not need to turn on the projector to use the MONITOR jack.



Discount-Merchant.com (800) 281-8860
THE TRUSTED SOURCE FOR PROJECTOR LAMPS AND ACCESSORIES

3 Using the projector

Using your Polaview SuperPortable 10 LCD Projector

After you follow the steps described in Chapter 2, *Detailed setup*, you are ready to begin using your Polaview Super-Portable 10 LCD Projector.

The Polaview SuperPortable 10 LCD Projector is designed with ease of use and simplicity in mind. With the remote control or the control panel, most of the common functions are right at your fingertips. To execute most of the functions you need during your presentation, just press the appropriate key on the remote control or the control panel.

This chapter describes keys on the remote control and control panel and their functions. It also describes how to use the Menu-mode on-screen controls.

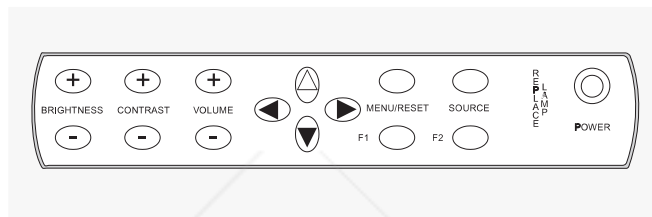


Discount-Merchant.com (800) 281-8860
THE TRUSTED SOURCE FOR PROJECTOR LAMPS AND ACCESSORIES

Control-panel keys

The projector control panel lets you adjust your projected image and enhance the appearance of your presentation. The function of each control-panel key is described below.

The control panel



Key-panel controls

Note: All controls have on-screen graphics to indicate their relative value or selection setting.

BRIGHTNESS

Press the "+" key of the BRIGHTNESS control to increase the overall image brightness. Press the "-" key of the BRIGHTNESS control to decrease the overall image brightness. When you reach either adjustment limit, the on-screen indicator stops moving.

CONTRAST

Press the "+" key of the CONTRAST control to make the color image more vivid. Press the "-" key of the CONTRAST control to provide greater definition to the color image in areas that have subtle shading. When you reach either adjustment limit, the on-screen indicator stops moving.

VOLUME

Press the "+" key of the VOLUME control to increase the sound volume from the built-in speakers to or increase the sound level at the AUDIO OUT jack. Press the "-" key of the VOLUME control to decrease the sound volume from the built-in speakers, or to decrease the sound level at the AUDIO OUT jack. When you reach either adjustment limit, the on-screen indicator stops moving.

Alignment

Press ◀ (left), ▶ (right), ▲ (up), or ▼ (down) to move the image to the desired position. There is no adjustment limit for the alignment function; the image continues to move and begins to wrap around onto the opposite side of the display.

Note: The alignment controls function only when the projector is not in Menu mode.

MENU

This key controls the display of the on-screen controls menu. If you display an on-screen controls menu item, pressing this key makes the display disappear (on-screen displays normally disappear after five seconds). To enter Menu mode to gain access to the on-screen controls, press and release MENU/RESET, then press either the ▲ or ▼ key to scroll through the menu until you display the desired Menu mode on-screen control. When the projector is in Menu mode, only the Menu-mode on-screen controls function.

(RESET)

To reset the projector image to the original factory settings, press and hold MENU/RESET until the on-screen display indicates READY TO RESET (hold the key down approximately five seconds). When you release the key, you reset the projector and clear all image enhancements you have made, restoring the factory settings as the default settings. (If you release MENU/RESET *before* you display READY TO RESET, you cannot restore the factory settings.)

SOURCE

Press SOURCE to select video input from COMPUTER, VIDEO, or S-VHS jacks. If you connect only one video source to the projector, the projection screen goes blank momentarily, then returns, displaying from the connected video source.



Discount-Merchant.com (800) 281-8860
THE TRUSTED SOURCE FOR PROJECTOR LAMPS AND ACCESSORIES

F1, F2

You can program the F1 and F2 keys as shortcut keys to any Menu-mode on-screen controls that you want to use regularly, eliminating the need to go through the on-screen menus. To program the F1 or F2 key, first select the desired Menu-mode on-screen control. Then press F1 or F2, and the F1 on-screen graphic appears. Press F1 or F2 a second time to program the key for the selected Menu-mode on-screen control. The F1 or F2 key now selects the Menu-mode on-screen control automatically. If you do not press F1 or F2 a second time within five seconds, the F1 and F2 programs remain unchanged.

REPLACE LAMP

The REPLACE LAMP indicator lights when the LAMP HOURS value reaches zero. Use the LAMP HOURS on-screen control to reset the value. After you reset the value, the REPLACE LAMP indicator goes out.

POWER

Press POWER to turn the projector and lamp on. Press it again to turn the projector and lamp off.



Discount-Merchant.com (800) 281-8860
THE TRUSTED SOURCE FOR PROJECTOR LAMPS AND ACCESSORIES

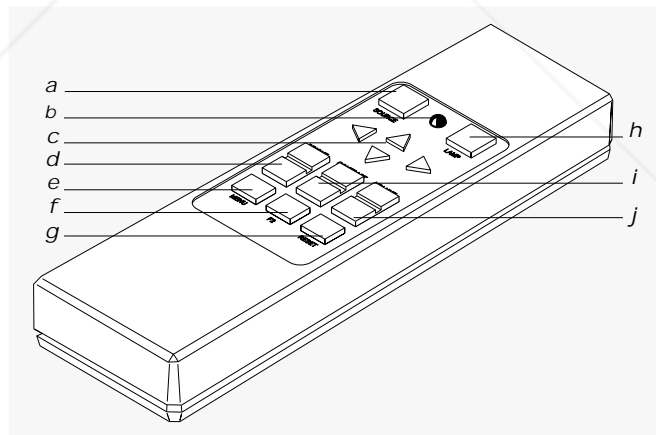
The remote control

Use the RC-8 remote control to change all the control panel and on-screen control functions. Whenever you press a remote-control key, the LED on the remote control blinks rapidly. The remote-control keys share the same functions as the corresponding keys on the projector control panel.

To use the remote control, point it at the front of the projector and press a key, or bounce the infrared (IR) signal off the projection screen.

Note: When the operating distance between the projector and remote control becomes too short for your purposes, install a fresh battery as described in the *Changing the remote-control battery* section in Chapter 4, *Maintenance*.

The RC-8 remote control



- | | | | |
|---|------------------------|---|---------------------|
| a | SOURCE | f | F2 |
| b | LED indicator | g | RESET |
| c | Arrow keys (alignment) | h | LAMP (REPLACE LAMP) |
| d | BRIGHT (BRIGHTNESS) | i | CONTRAST |
| e | MENU | j | VOLUME |

Menu-mode on-screen controls

The Menu-mode on-screen controls let you adjust the projected image and enhance the appearance of your presentation. The function of each on-screen control is described below.

INVERSE

To use the INVERSE function, press and release MENU, then press either the ▲ or ▼ key to scroll through the menu until you display INVERSE. Press either the ◀ or ▶ key to switch between positive and negative images. A graphic appears on the screen to indicate the current INVERSE setting.

WIDTH

To use the WIDTH function, press and release MENU, then press either the ▲ or ▼ key to scroll through the menu until you display WIDTH. Press the ▶ key to increase the width of the image. Press the ◀ key to reduce the width of the image. A graphic appears on the screen to indicate the current relative value of the WIDTH setting. WIDTH may affect the FOCUS control; refer to the *Troubleshooting guide* in Chapter 5 for more information.

FOCUS

To use the FOCUS function, press and release MENU, then press either the ▲ or ▼ key to scroll through the menu until you display FOCUS. Press either the ◀ or ▶ key to select from 8 possible image-phase-adjustment settings. A graphic appears on screen to indicate the current FOCUS setting. The WIDTH control may affect FOCUS; refer to the *Troubleshooting guide* in Chapter 5 for more information.

MIRROR

To use the MIRROR function, press and release MENU, then press either the ▲ or ▼ key to scroll through the menu until you display MIRROR. Press either the ◀ or ▶ key to switch from the standard to the mirror (reverse) image. A graphic appears on screen to indicate the current MIRROR setting.

PALETTE

To use the PALETTE function, press and release MENU, then press either the ▲ or ▼ key to scroll through the menu until you display PALETTE. Press either the ◀ or ▶ key to switch from one of two color modes: 8-color or 16,194,277-color. A graphic appears on screen to indicate the current PALETTE setting.

TINT

To use the TINT function, press and release MENU, then press either the ▲ or ▼ key to scroll through the menu until you display TINT. Press the ▶ key to increase the red in the color image. Press the ◀ key to increase the green in the color image. A graphic appears on screen to indicate the current relative value of the TINT setting.

TONE

To use the TONE function, press and release MENU, then press either the ▲ or ▼ key to scroll through the menu until you display TONE. Press the ▶ key to increase the high tones of the speaker output. Press the ◀ key to decrease the high tones of the speaker output. A graphic appears on screen to indicate the current relative value of the TONE setting.

LAMP HOURS

To use the LAMP HOURS function, press and release MENU, then press either the ▲ or ▼ key to scroll through the menu until you display LAMP HOURS. A graphic appears on screen to indicate the current relative LAMP HOURS value. The LAMP HOURS value is based upon an expected average lamp life. As you use the projector, the lamp-hour value decreases incrementally toward 0. When the lamp-hour value reaches 0, the REPLACE LAMP indicator lights. Press either the ◀ or ▶ key to reset the LAMP HOURS value to its maximum value and to extinguish the REPLACE LAMP indicator.

Language

To use the language function, press and release MENU, then press either the ▲ or ▼ key to scroll through the menu until you display ENGLISH, FRENCH, GERMAN, or SPANISH. Press either the ◀ or ▶ key to choose one of the four languages. The current language selected appears on the screen.



TV COMPRESS

To use the TV COMPRESS function, press and release MENU, then press either the ▲ or ▼ key to scroll through the menu until you display TV COMPRESS. Press the ◀ or ▶ key to switch between standard and compressed screen images. A graphic appears on screen to indicate the current TV COMPRESS setting. You can only adjust this control when you are viewing a PAL or SECAM TV video image.

TV SHARPNESS

To use the TV SHARPNESS function, press and release MENU, then press either the ▲ or ▼ key to scroll through the menu until you display TV SHARPNESS. Press the ◀ or ▶ key to select from the 8 image-sharpness settings. A graphic appears on screen to indicate the current TV SHARPNESS setting. You can only adjust this control when you are viewing a TV video image.

TV COLOR

To use the TV COLOR function, press and release MENU, then press either the ▲ or ▼ key to scroll through the menu until you display TV COLOR. Press the ▶ key to increase the amount of color in the image. Press the ◀ key to decrease the amount of color in the image. A graphic appears on screen to indicate the relative value of the current TV COLOR setting. You can only adjust this control when you are viewing a TV video image.

Illuminated indicators

POWER

The POWER key glows red when you plug the projector power cord into an AC wall outlet. After the red light is on, use the POWER key on the control panel to turn on the projector and lamp.

Control panel

An illuminated control-panel indicates that the projector is in operation; the projector lamp should also be on.

REPLACE LAMP

When illuminated, REPLACE LAMP indicates that the LAMP HOURS value is zero. Refer to LAMP HOURS in the *Menu-mode on-screen control* section of this chapter or to *Lamp replacement* in Chapter 4, *Maintenance*.



Discount-Merchant.com (800) 281-8860
THE TRUSTED SOURCE FOR PROJECTOR LAMPS AND ACCESSORIES

4 Maintenance

Transporting and storing the projector

To prepare your projector for transport, follow these steps:

- 1 Press POWER to turn off the projector and lamp. (The fans continue to run for approximately three minutes.)
- 2 When the fans stop turning and the projector is cool, unplug the power cord.
- 3 Close the projector down to its storage position and engage the locking mechanism.
- 4 Rotate and close the mirror to its storage position.

Note: Store and transport the projector at temperatures between 0° and 140°F (-17° to 60°C). Avoid leaving it in an automobile during seasonal temperature extremes as automobile interior temperatures can exceed 160°F (70°C) in summer and drop below -20°F (-29°C) in winter. If you should expose the projector to extremely hot, cold or humid conditions, allow it to stand at room temperature for 30 minutes before you attempt to use it.



Discount-Merchant.com (800) 281-8860
THE TRUSTED SOURCE FOR PROJECTOR LAMPS AND ACCESSORIES

Cleaning the lens

- 1 Lift and rotate the mirror as you would to prepare the projector for use.
- 2 Gently wipe the exposed lens surface with a clean, lint-free tissue (slightly moistened with lens cleaner if necessary). Never pour lens cleaner or other solvents on the lens elements.

Caution: Never use silicone-impregnated eyeglass tissues on the coated projection lens.



Discount-Merchant.com (800) 281-8860
THE TRUSTED SOURCE FOR PROJECTOR LAMPS AND ACCESSORIES

Replacing the lamp

Warning: Before you attempt to replace the projector lamp, to avoid the risk of electrical shock, unplug the power cord first from the AC wall outlet then from the projector AC power-input jack.

- 1 Press POWER to turn off the projector and lamp. (The fans continue to run for approximately three minutes.)

Warning: To avoid the risk of burning yourself, let the lamp access door and projector lamp cool down before you attempt to replace the lamp.

- 2 When the fans stop turning and the projector is cool, unplug the power cord from the AC wall outlet.
- 3 Be sure to close the mirror, then close the projector down to its storage position.
- 4 Turn the projector over and lay it on a flat, stable surface.

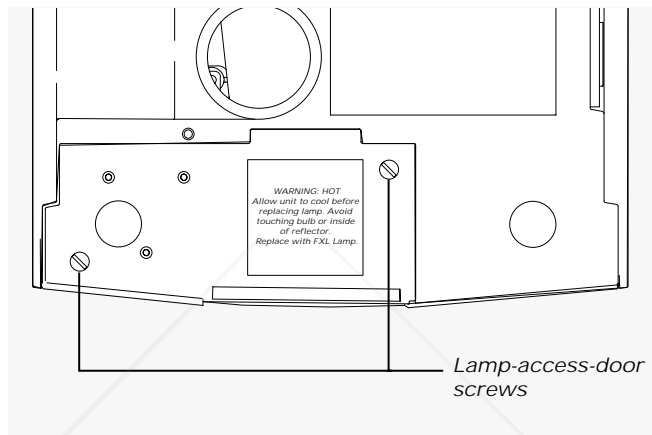
Note: Typically, lamps have an average operating life of approximately 30 hours. When illuminated, REPLACE LAMP indicates that the projector lamp has reached this average lamp operating life, and lamp failure may soon occur. You may choose to replace the lamp or reset the LAMP HOURS using the Menu-mode on-screen control, or you may choose to continue using your projector until the lamp actually fails.



Discount-Merchant.com (800) 281-8860
THE TRUSTED SOURCE FOR PROJECTOR LAMPS AND ACCESSORIES

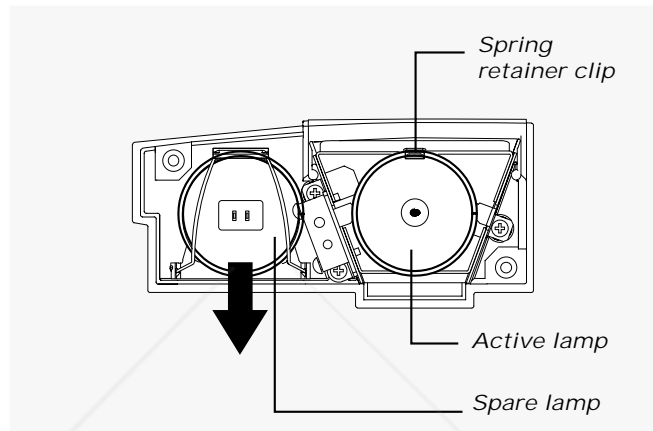
- 5 Loosen the two lamp-access-door screws shown below.
(These are captive screws; do not try to separate them from the lamp-access door.)

Replacing the lamp



- 6 Lift out the lamp/spare lamp-holder assembly.
- 7 Turn over the lamp-holder assembly and place it on a stable surface.

- 8 Press the retainer spring and pull the active lamp out of the lamp holder (see the illustration below).



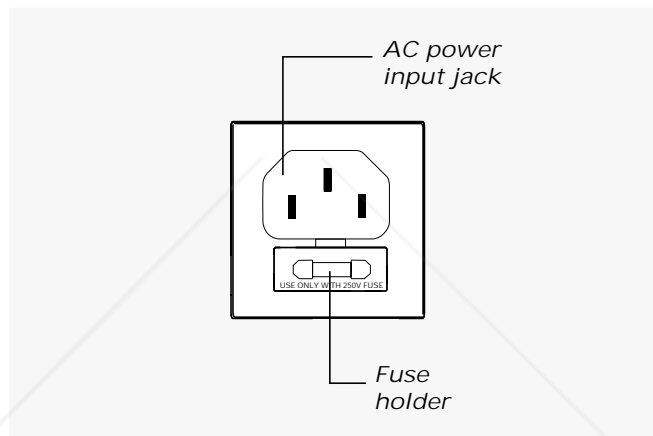
- 9 Slide the spare lamp out of the lamp-holder assembly, as shown in the illustration above, to remove it from its storage location. Insert it into the lamp holder.

Note: Replace the spare lamp as soon as possible.

- 10 Reinstall the lamp-holder assembly.
- 11 Tighten the two lamp-access-door screws.

Replacing the fuse

Locate the fuse holder just below the AC power-input jack (shown in the illustration below). Use a small flat-blade screwdriver to remove the fuse holder.



Note: If you want to remove the fuse holder, you must open the projector to its raised position. If the projector is already open, unplug the power cord from the wall outlet and from the projector before you attempt to remove the fuse holder.

Replace the fuses only with the type and rating shown on the label. If the projector repeatedly blows fuses, return it for servicing.

Changing the remote-control battery

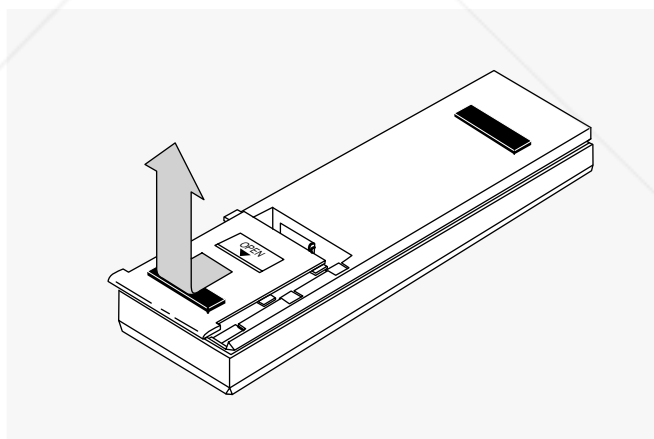
The remote control requires one 9V alkaline battery. Apart from the first time you use the remote control, you should install a new battery in the remote control when:

- The LED on the remote control no longer lights when you press the keys. This is a sign that the battery is dead.
- The operating distance between the projector and the remote control becomes too short to meet your needs. This is a sign of a weak battery.

To install the battery, follow these steps:

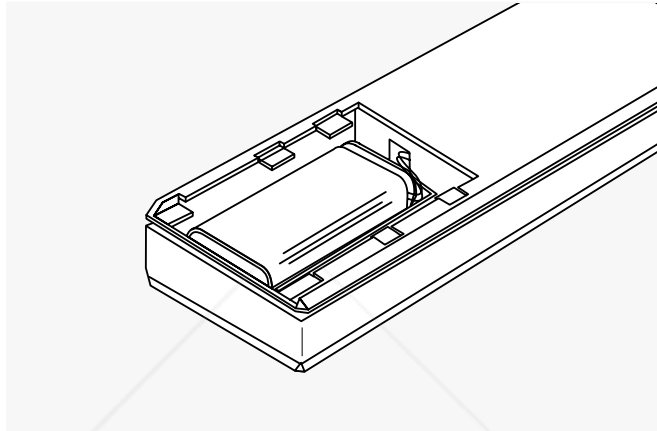
- 1 Turn the remote control upside down. Slide the battery cover back and lift it out, as shown below.

Removing the battery cover



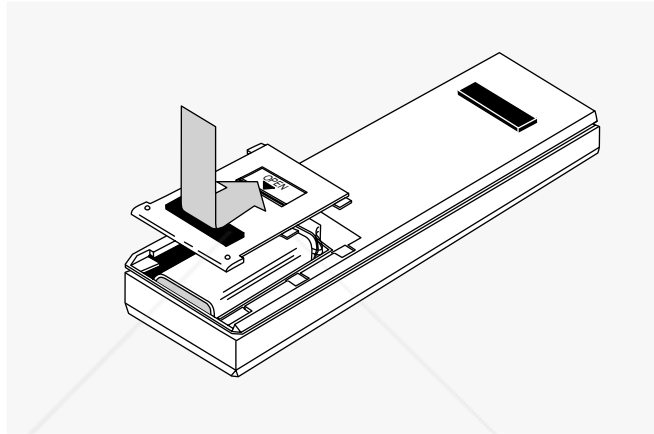
- 2 Place a new battery in the battery compartment, as shown below.

*Loading the
new battery*



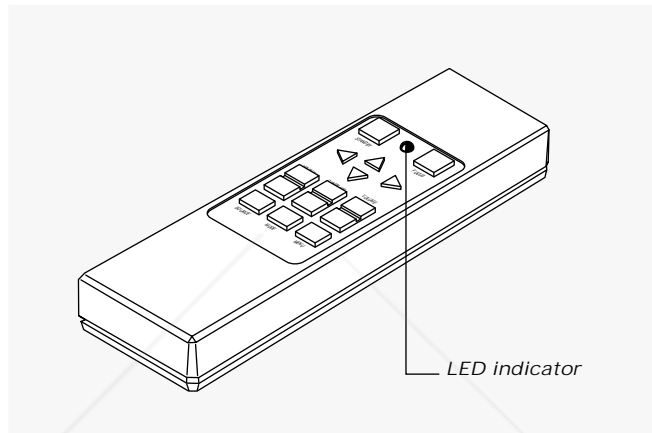
- 3 Align the tabs on the battery cover with the slots in the back of the remote-control case (as illustrated below). Then close the cover.

Closing the battery cover



- 4 Test the operation of the remote control by pressing any remote-control key. When the battery is properly installed, the LED indicator should blink rapidly.

The LED indicator



5 Troubleshooting

Troubleshooting guide

<i>Symptom</i>	<i>Cause</i>	<i>Solution</i>
Polaroid logo displayed on projector	Unit working properly, but no video source connected	Connect video source
No image projected from projector	Projector not turned on	Turn on projector
	Projector not connected to AC wall outlet	Plug cord into outlet
	AC wall outlet defective	Contact electrician; do not attempt repair
	Computer or video cable not secured	Check cable connections
	No video signal from computer or video source	Check power and connections
	Incompatible video signal from computer	Check that computer video source is compatible with projector; see <i>Appendix A, Specifications</i> ; contact Polaroid to verify compatible sources
	Projector lamp burned out	Replace lamp
	Weak video signal or poor VCR tracking	

<i>Symptom</i>	<i>Cause</i>	<i>Solution</i>
No image on computer monitor	Computer or monitor video cable not secured	Check cable connections
	Monitor power off or disconnected	Turn on monitor; check connections
	Projector not connected to AC wall outlet	Plug cord into outlet
	No video signal from computer	Check power and connections
Poor color or no color	Color controls require adjustment	Adjust BRIGHTNESS, TINT, and CONTRAST controls
	Wrong INVERSE mode	Change INVERSE setting
	Signal from computer is monochrome	Use appropriate video source
	Computer video cable not secured	Check cable connections
		Select a different color mode using the PALETTE function
	Adjust room lighting	
Flickering or unstable image	Image out of focus	Use the FOCUS control; there are 8 possible settings
	Computer video cable not secured	Check cable connections
	Incompatible video signal from computer	Check that computer video source is compatible with projector; see <i>Appendix A, Specifications</i> ; contact Polaroid to verify compatible sources
		Adjust the WIDTH control

<i>Symptom</i>	<i>Cause</i>	<i>Solution</i>
Split image or partial image	Image alignment needed	Use up-down and left-right arrow keys
	Incompatible video signal from computer	Check that computer video source is compatible with projector; see <i>Appendix A, Specifications</i> ; contact Polaroid to verify compatible sources Reset projector to factory default settings
POWER button not illuminated on control panel	Projector not connected to AC wall outlet	Plug cord into outlet
	Defective AC wall outlet	Contact electrician; do not attempt repair
No audio from built-in speakers	No audio source connected	Connect audio source
	Projector not turned on	Turn on projector
	Projector not connected to AC wall outlet	Connect projector to wall outlet
	AC wall outlet defective	Contact electrician do not attempt repair
	Audio source turned off	Turn on audio source
	Audio source not connected to appropriate video input	Replace with appropriate cable
	Audio source and audio output cables are reversed	Use appropriate connections
	VOLUME control set too low	Adjust VOLUME
	External amplified speaker system connected to AUDIO OUT jack	Disconnect external system

<i>Symptom</i>	<i>Cause</i>	<i>Solution</i>
Bright spots on projected image	Inactive pixel may appear as bright spot on screen; it does not affect picture quality or life expectancy of projector; projector may contain maximum of 50 inactive pixels	
Image contains one or more vertical bars	WIDTH out of alignment	Use the Menu-mode on-screen controls to adjust WIDTH; after eliminating vertical bars, use FOCUS to sharpen image; when you adjust WIDTH, if left arrow adjustment causes number of bars to increase, use right arrow adjustment to eliminate bars; if right arrow adjustment causes number of bars to increase, use left arrow adjustment to eliminate bars
Blurred image	Image out of focus	Rotate lens to adjust screen focus Adjust FOCUS control; if only portions of image are out of focus and FOCUS adjustment causes out-of-focus portions to move, refer to solution described in vertical bars problem; displaying a cross-hatch pattern aids in resolving any focus-adjustment problems

<i>Symptom</i>	<i>Cause</i>	<i>Solution</i>
No image on Macintosh monitor	Incorrect Macintosh computer and monitor adapters	Use 550093-002 and 550093-003 adapters with 15-in. Macintosh multisync monitor or with 12-in. Macintosh monitor; use 550093-000 and 550093-001 adapters with non-multisync Macintosh monitors
No screen image with Macintosh PowerBook	PowerBook must be turned on <i>after</i> projector is connected	Turn off the PowerBook, then turn it on again; be sure to enable Monitor Mirroring on the PowerBook control screen
Inexplicable or unresolved problem		Before calling for technical assistance press RESET to restore factory default settings, then use control panel and Menu-mode on-screen controls to restore image enhancements

Where to get help

If at any time you need help:

- 1 Check the *Troubleshooting guide*.
- 2 Call your dealer's technical support line and explain your problem.
- 3 Call Polaroid Corporation (see pages 44 and 45).



Discount-Merchant.com (800) 281-8860
THE TRUSTED SOURCE FOR PROJECTOR LAMPS AND ACCESSORIES

Polaroid Offices and Service Centers

Australia

Polaroid Australia Pty. Ltd.
13-15 Lyonpark Road
P.O. Box 163
North Ryde, N.S.W. 2113
Tel.: (02) 9 950 7000
Fax: (02) 887 2209

Belgique/België

Polaroid (Belgium) N.V.-S.A.
Rue Colonel Bourg 111
Kolonel Bourgstraat 111
1140 Bruxelles-1140 Brussel
Tel.: 32 2 702 86 20
Fax: 32 2 726 92 99
Toll free: 32 78 155 905

Brasil

Polaroid do Brasil Ltda.
Av. Paulista, 1776-11º andar
Cerqueira Cesar
São Paulo-Capital
01310-921
Tel.: 55.11.285.6411
Fax: 55.11.283.2625
288.6521
287.5393

Canada

Polaroid Canada Inc.
350 Carlingview Drive
Etobicoke, Ontario M9W 5G6
Toll free: 1-800-268-6970

Danmark

Polaroid a.s.
Blokken 75
3460 Birkerød
Tlf.: 42 81 75 00
Fax: 42 81 70 26

Deutschland

Polaroid GMBH
Spremlinger Landstrasse 109
63069 Offenbach
Tel.: 069 8404 1
Fax: 069 8404 204

España

Polaroid (España), S.A
Calle Orense, 16
2ª planta
28020 Madrid
Tno: 34-1-597.02.52
Fax: 34-1-597.27.82

France

Polaroid (France) S.A.
B.P. 7
78996 Elancourt Cédex
Tel.: (1) 30 68 38 38
Fax: (1) 30 68 38 39

Hong Kong

Polaroid (Far East) Ltd.
32/F Windsor House
311 Gloucester Road
Causeway Bay
Tel.: (852) 2894 0333
Fax: (852) 2895 1382

Italia

Polaroid (Italia) S.p.A.
Via Piave 11
21051 Arcisate (Varese)
Tel.: 0332-470031
Fax: 0332-478249

Japan

Nippon Polaroid
Kabushiki Kaisha
Mori Building No. 30
Toranomom 3-2-2
Minato-ku
Tokyo 105
Tel.: 81-3-3438-8811
Fax: 81-3-3433-3537

México

Polaroid de México S.A. de C.V.
Paseo de la Reforma 195
Piso 17
C.P. 06500 México, D.F.
Tel.: 703-1111
Fax: 566-0505
Del interior al 91 (800) 70-727
Ventas 91 (800) 70-747

Nederland

Polaroid Nederland B.V.
Zonnebaan 45
3606 CH Maarssen
PO Box 1219
3600 BE Maarssen
Tel.: 31-30-2-410-420
Fax: 31-30-2-411-969

Reparaties:

Polaroid (Europe) B.V.
Hoge Bothofstraat 45
7511 ZA Enschede
Tel.: 31-53-4-865-400



Discount-Merchant.com (800) 281-8860

THE TRUSTED SOURCE FOR PROJECTOR LAMPS AND ACCESSORIES

New Zealand

Polaroid New Zealand Ltd.
Camera Services
24-26 Anzac Avenue
Auckland
Tel.: (09) 377 3773

Norge

Polaroid (Norge) A/S
Industriveien 8B, 1473 Skårer
Postboks 80, 1471 Skårer
Tlf: 67 90 47 10
Fax: 67 90 51 73

Österreich

Polaroid Ges.m.b.H.
Eitnergasse 5A
1231 Wien
Tel.: 869 86 27
Fax: 869 81 00

Portugal

Polaroid (Espana) S.A.
Sucursal em Portugal
Edificio Monumental
Avenida Praia da Vitória, 71-A 4º B
1050 Lisboa
Tel.: (01) 316.10. 52

Puerto Rico

Polaroid Caribbean Corporation
Centro de Seguros
Ave. Ponce de León 701
Miramar, Santurce 00907
Tel.: (809) 725-6240
Fax: (809) 725-5462

Schweiz/Suisse/Svizzera

Polaroid AG
Hardturmstrasse 133
8037 Zürich
Tel.: (01) 277.72.72

Suomi

Polaroid Oy
Sinikalliontie 10
02630 Espoo
Puh: 90-502 35 33
Fax: 90-502 35 50

Sverige

Polaroid AB
Ekholmsvägen 34
Box 204
127 24 Skärholmen
Tel.: 08-710 08 50
Fax: 08-740 73 68

U.K.

Polaroid (U.K.) Ltd. &
Polaroid Export Operations
Wheathampstead House
Codicote Road
Wheathampstead
Hertfordshire AL4 8SF
U.K.
Tel: (44) 1582 632000
Freefone: 0800 010119

U.S.A.

Polaroid Corporation
Technical Assistance
Tel.: Toll free 1-800-432-5355
Call for the nearest Polaroid
location



Discount-Merchant.com (800) 281-8860
THE TRUSTED SOURCE FOR PROJECTOR LAMPS AND ACCESSORIES

One Year Warranty

Polaroid Corporation warrants your Polaview Projector equipment against defects in manufacture for a period of one year from the date of purchase. To verify the warranty period, you should keep the sales slip or other proof of the purchase date.

Should this product, or any component or accessory included with it, become defective at any time during the warranty period, Polaroid Corporation will, at its discretion, either replace or repair this item, without charge, provided the product is returned to a designated servicing location (prepaid and insured). To ship the unit, pack the carrying case in the original carton or equivalent, with plenty of padding.

This Limited Warranty does not apply to product damage resulting from accident, incorrect installation, unauthorized modification, misuse or abuse.

U.S.A. and Canada

Before you return your equipment for repair, please call Polaroid Electronic Imaging Technical Support from within the U.S.A. at 1-800-432-5355, Monday through Friday, 8 a.m. to 8 p.m., Eastern Time. In Canada, call 1-800-268-6970. We can help you determine what is at fault, and advise you on how and where to get service in the quickest and most convenient way.

THIS WARRANTY EXCLUDES ALL INCIDENTAL AND CONSEQUENTIAL DAMAGES. ALL EXPRESSED OR IMPLIED LIABILITY FOR THIS EQUIPMENT INCLUDING BUT NOT LIMITED TO THE IMPLIED WARRANTY OF MERCHANTABILITY AND FITNESS FOR A PARTICULAR PURPOSE ARE LIMITED IN DURATION TO THE ONE-YEAR WARRANTY PERIOD.

SOME STATES DO NOT ALLOW THE EXCLUSION OR LIMITATION OF INCIDENTAL OR CONSEQUENTIAL DAMAGES OR THE DURATION OF IMPLIED WARRANTIES



Discount-Merchant.com (800) 281-8860
THE TRUSTED SOURCE FOR PROJECTOR LAMPS AND ACCESSORIES

SO THE ABOVE LIMITATIONS MAY NOT APPLY TO YOU. THIS WARRANTY GIVES YOU SPECIFIC LEGAL RIGHTS, AND YOU MAY ALSO HAVE OTHER RIGHTS WHICH MAY VARY FROM STATE TO STATE.

*Outside the U.S.A.
and Canada*

THIS WARRANTY EXCLUDES ALL INCIDENTAL AND CONSEQUENTIAL DAMAGES AND DOES NOT AFFECT YOUR STATUTORY RIGHTS.

Note: No user-serviceable parts inside, with the exception of the lamp which can be replaced as described in this manual. Attempts to modify mechanical or electronic parts inside will void your warranty, and may be hazardous.



Discount-Merchant.com (800) 281-8860
THE TRUSTED SOURCE FOR PROJECTOR LAMPS AND ACCESSORIES

Appendix A: Specifications

<i>Color</i>	8-color mode: 2 shades per color, 8 total colors 16M-color mode: 253 shades per color, 16,194,277 total colors
<i>Display technology</i>	Active matrix TFT
<i>Resolution</i>	640 x 480
<i>Contrast ratio</i>	60:1 minimum 100:1 typical
<i>LCD panel</i>	6.4 in. (diagonal measure)
<i>Pixel response time</i>	tr = 30 msec typical tf = 50 msec typical
<i>Computer video compatibility</i>	Red, Green, Blue signal input/output (0 to 1.0V at 75 ohms impedance) Vertical sync frequency: 50 - 72 Hz Horizontal sync frequency: 31 - 40 kHz

<i>Composite video compatibility</i>	NTSC, PAL or SECAM composite video
<i>S-VHS video compatibility</i>	NTSC, PAL or SECAM video with separate chrominance and luminance
<i>Optical lens</i>	140 mm focal length f3.7 4-element Dogmar lens
<i>Projection lamp</i>	410 watt FXL lamp
<i>Input power</i>	450 watts
<i>Dimensions</i>	2.9 in. (H) x 16 in. (L) x 10.3 in. (W) (74 mm x 406 mm x 262 mm)
<i>Weight</i>	9.8 lbs (4.4 kg)
<i>Computer interface</i>	HD-15 D-subminiature interface connector
<i>Computer compatibility</i>	IBM and IBM compatibles with VGA (640 x 480) Macintosh computers with external video (640 x 480 mode) 800 x 600 mode supported by showing a 640 x 480 window of the larger image
<i>Recommended storage temperature</i>	0° to 140°F (-17° to 60°C)
<i>Recommended operating temperature</i>	32° to 95°F (0° to 35°C)
<i>Recommended relative humidity</i>	95% (non-condensing) at 104°F (40°C)

Appendix B: Parts

<i>Polaview model</i>	<i>Part no.</i>
Polaview SuperPortable 10 LCD Projector	622187

<i>Replacement product</i>	<i>Part no.</i>
RC-8 infrared remote control	623405
Soft carrying case	590300-000
FXL 410 lamp	44925P13
PC video cable	58381-003
AC-1, 3.5mm stereo audio cable	550025-000
AC-2, dual RCA audio cable	550025-001
Macintosh computer adapter	550093-000
Macintosh monitor adapter	550093-001
CVL-V, VGA 9 ft. (2.74m) computer cable	550009-003
Power cord (U.S.)	550006-101

<i>Optional accessory</i>	<i>Part no.</i>
Macintosh computer adapter	550093-002
Macintosh monitor adapter	550093-003
Power cord (Europe)	550024-000
Power cord (United Kingdom)	550024-004
Power cord without wall plug	550024-011

You can order replacement parts and accessories through your local dealer or by contacting Polaroid (see pages 44 and 45).



Discount-Merchant.com (800) 281-8860
THE TRUSTED SOURCE FOR PROJECTOR LAMPS AND ACCESSORIES

Appendix C: Abbreviations

Abbreviations

AUX	Auxiliary
B/W	Black and white
CCIR	Comite Consultatif International des Radio Communications
CD	Compact disk
CW	Clockwise
CCW	Counter-clockwise
DOS	Disk operating system
EP	Extended play (same as SLP)
FCC	Federal Communications Commission
LCD	Liquid crystal display
LED	Light emitting diode
LP	Long play
ME-SECAM	Middle East SECAM
NTSC	National Television System Committee
PAL	Phase alternation by line



Discount-Merchant.com (800) 281-8860
THE TRUSTED SOURCE FOR PROJECTOR LAMPS AND ACCESSORIES

RAM	Random access memory
ROM	Read only memory
SECAM	Sequentiel Couleur A Memoire
SLP	Super long play (same as EP)
SP	Standard play
S-VHS	super VHS
TFT	Thin film transistor
VAC	Volts-alternating current
VCR	Video cassette recorder
VDC	Volts-direct current
VGA	Video graphics adapter
VHS	Video home system



Discount-Merchant.com (800) 281-8860
THE TRUSTED SOURCE FOR PROJECTOR LAMPS AND ACCESSORIES

Index

A

Abbreviations, 53–54
Accessories, 4, 51
Adapter, 3, 4, 8, 15
Alignment, 21, 23, 41, 42
Arrow keys, 21, 23, 24, 25, 26, 41, 42
Audio, 13, 17, 41
AUDIO IN, 12, 13
AUDIO OUT, 12, 13, 17, 41

B

Battery, 23, 35–38
 battery replacement, 35–38
BRIGHT, 23
BRIGHTNESS, 20, 40

C

Cables, 3, 11–12
Cleaning, 5
Color, 2, 25, 26, 40, 49
Compatibility, 2, 49–50
Computer, *see Compatibility or Connections*
COMPUTER, 12, 14, 15, 21

Connections, 11–15, 39, 40
 Audio, 13
 Macintosh, 15
 PC, 14
 S-video, 13
 Video, 13
Connector panel, 8, 11, 20
 AUDIO IN, 12, 13
 AUDIO OUT, 12, 13, 17, 41
 COMPUTER, 12, 14, 15, 21
 MONITOR, 12, 15, 14, 18
 S-VHS, 11, 13, 21
 VIDEO, 11, 13, 21
CONTRAST, 20, 23, 40
Control panel, 2, 8, 16, 19, 20–22, 27
Control-panel keys, 20–22
 Alignment, 21, 23, 41, 42
 BRIGHTNESS, 20, 40
 CONTRAST, 20, 23, 40
 F1, 22
 F2, 22, 23
 MENU, 21, 23, 24–26
 POWER, 13, 16, 22, 27, 31, 42
 REPLACE LAMP, 22, 27, 31
 RESET, 21, 23, 43
 SOURCE, 18, 21, 23
 VOLUME, 17, 20, 23, 41



Discount-Merchant.com (800) 281-8860
THE TRUSTED SOURCE FOR PROJECTOR LAMPS AND ACCESSORIES

D

Default settings, 17, 18, 21, 41

E

ENGLISH, 25

F

F1, 22
F2, 22, 23
Fans, 29, 40
Features, 1–2
Focus, 17, 24, 40, 42
FOCUS, 17, 24, 40, 42
FRENCH, 25
Fuse holder, 34
Fuse replacement, 34

G

GERMAN, 25

I

Indicators
Control panel, 27
LED, 23, 35, 38
POWER, 27
REPLACE LAMP, 27
Image size, 10
INVERSE, 24, 40

L

Lamp, 16, 25, 31–33, 50
Lamp access, 16
Lamp-access door, 16, 32
Lamp holder, 32–33
LAMP HOURS, 25, 31
Lamp replacement, 5, 31–33
Language, 25
LCD, 2
LED indicator, 23, 35, 38
Lens, 8, 17, 30, 42, 50
Locking, 8, 9, 29

M

Mac connection, 15
MENU, 21, 23, 24–26
Menu-mode on-screen controls,
17, 18, 19, 22, 24–26
FOCUS, 17, 24, 40, 42
INVERSE, 24, 40
LAMP HOURS
Language
MIRROR, 24
PALETTE, 25, 40
TINT, 25, 40
TONE, 25
TV COLOR, 26
TV COMPRESS, 26
TV SHARPNESS, 26
WIDTH, 24, 40, 42
Mirror, 8, 9, 16, 29, 30, 31
MIRROR, 24
MONITOR, 12, 15, 14, 18

O

Opening, 9
 Operating temperature, 29, 50

P

PALETTE, 25, 40
 Parts, 3-4, 8, 51
 PC connection, 14
 Pixel, 2, 42, 49
 Polaroid Offices and Service Centers, 44-45
 Polaview 10 SuperPortable LCD Projector
 connections, 11-15, 39, 40
 maintenance, 29-38
 opening, 9
 safety, 5-6
 specifications, 49-50
 storage, 29
 transporting, 29
 troubleshooting, 39-48
 turning off, 18
 turning on, 16
 warranty, 46-47
 POWER, 13, 16, 22, 27, 31, 42
 Power cord, 3, 5, 13, 31, 34
 PowerBook, 43
 Projection lens, 8, 17, 30, 42, 50
 Projector locking mechanism, 8, 9, 29

R

Relative humidity, 50
 Remote control, 4, 19, 23, 35-38
 battery, 23, 35-38
 battery replacement, 35-38
 keys, 23
 Arrow keys, 21, 23, 24, 25, 26, 41, 42
 BRIGHT, 23
 CONTRAST, 20, 23, 40
 F2, 22, 23
 LAMP, 22, 23, 27, 31
 LED indicator, 23, 35, 38
 MENU, 21, 23, 24-26
 RESET, 21, 23, 43
 SOURCE, 18, 21, 23
 VOLUME, 17, 20, 23, 41
 REPLACE LAMP, 22, 27, 31
 Replacement parts, 4, 51
 RESET, 21, 23, 43

S

Safety, 5-6
 Service, 6, 43-45
 Setup, 7-18
 SOURCE, 18, 21, 23
 SPANISH, 25
 Spare lamp, 33
 Speakers, 13, 17, 41
 Specifications, 49-50
 Storage, 29
 Storage temperature, 29, 50
 S-VHS, 11, 13, 21



Discount-Merchant.com (800) 281-8860
THE TRUSTED SOURCE FOR PROJECTOR LAMPS AND ACCESSORIES

T

TFT LCD, 2
TINT, 25, 40
TONE, 25
Transporting, 29
Troubleshooting, 39-48
Turning off, 18
Turning on, 16
TV COLOR, 26
TV COMPRESS, 26
TV SHARPNESS, 26

V

Vents, 5, 8, 10, 16
Video, 1, 2, 11, 13, 18, 21, 39,
40, 41
VIDEO, 11, 13, 21
VOLUME, 17, 20, 23, 41

W

Warranty, 46-47
WIDTH, 24, 40, 42



Discount-Merchant.com (800) 281-8860
THE TRUSTED SOURCE FOR PROJECTOR LAMPS AND ACCESSORIES



"Polaroid" and "Polaview" are trademarks of Polaroid Corporation, Cambridge, MA, U.S.A. Other trademarks may be the property of their respective owners.



PXW8557 10/96 Printed in U.S.A.

1F2430

Discount-Merchant.com (800) 281-8860
THE TRUSTED SOURCE FOR PROJECTOR LAMPS AND ACCESSORIES



Disclaimer

This user manual is provided as a free service by FixYourDLP.com. FixYourDLP is in no way responsible for the content of this manual, nor do we guarantee its accuracy. FixYourDLP does not make any claim of copyright and all copyrights remain the property of their respective owners.

About FixYourDLP.com

FixYourDLP.com (<http://www.fixyourdpl.com>) is the World's #1 resource for media product news, reviews, do-it-yourself guides, and manuals.

Informational Blog: <http://www.fixyourdpl.com>

Video Guides: <http://www.fixyourdpl.com/guides>

User Forums: <http://www.fixyourdpl.com/forum>

FixYourDLP's Fight Against Counterfeit Lamps:

<http://www.fixyourdpl.com/counterfeits>

Sponsors:

RecycleYourLamp.org – Free lamp recycling services for used lamps:

<http://www.recycleyourlamp.org>

Lamp Research - The trusted 3rd party lamp research company:

<http://www.lampresearch.com>

Discount-Merchant.com – The worlds largest lamp distributor:

<http://www.discount-merchant.com>



FixYourDLP.com

Sponsored by 