



Disclaimer

This user manual is provided as a free service by FixYourDLP.com. FixYourDLP is in no way responsible for the content of this manual, nor do we guarantee its accuracy. FixYourDLP does not make any claim of copyright and all copyrights remain the property of their respective owners.

About FixYourDLP.com

FixYourDLP.com (<http://www.fixyourdpl.com>) is the World's #1 resource for media product news, reviews, do-it-yourself guides, and manuals.

Informational Blog: <http://www.fixyourdpl.com>

Video Guides: <http://www.fixyourdpl.com/guides>

User Forums: <http://www.fixyourdpl.com/forum>

FixYourDLP's Fight Against Counterfeit Lamps:

<http://www.fixyourdpl.com/counterfeits>

Sponsors:

RecycleYourLamp.org – Free lamp recycling services for used lamps:

<http://www.recycleyourlamp.org>

Lamp Research - The trusted 3rd party lamp research company:

<http://www.lampresearch.com>

Discount-Merchant.com – The worlds largest lamp distributor:

<http://www.discount-merchant.com>



FixYourDLP.com

Sponsored by 

QUICK SET-UP

ENGLISH



The following steps will quickly lead you through set-up and adjustments for the projector connected to a single computer. For connection to a second computer, please consult the Making the Connections section. The sequence numbers refer to the drawing of the quick set-up.

SETTING UP

POWER OFF (1)

Switch off all equipment before connecting.

COMPUTER (2)

Connect the computer to the SOURCE 1 connector using the computer cable and applicable computer and monitor adapters if needed.

SOUND (3)

Connect sound from the computer using a standard 3.5-mm stereo jack line cable (not supplied).

MOUSE (4)

Connect the mouse cable to the MOUSE 1 connector of the projector. Use an applicable mouse adapter at the computer end.

MAINS (5)

Connect the power cords to the various equipment.

POWER ON (6)

First push the POWER button on the keyboard or the remote control.

Secondly start the source equipment to facilitate correct recognition of the projector as a peripheral unit to the computer.

USE

ZOOM , FOCUS AND POSITION

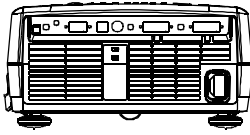
Zoom the lens for desired image size, focus the lens for an optically sharp image and tilt the unit using the integral adjustable feet to position the image on screen.

RESET

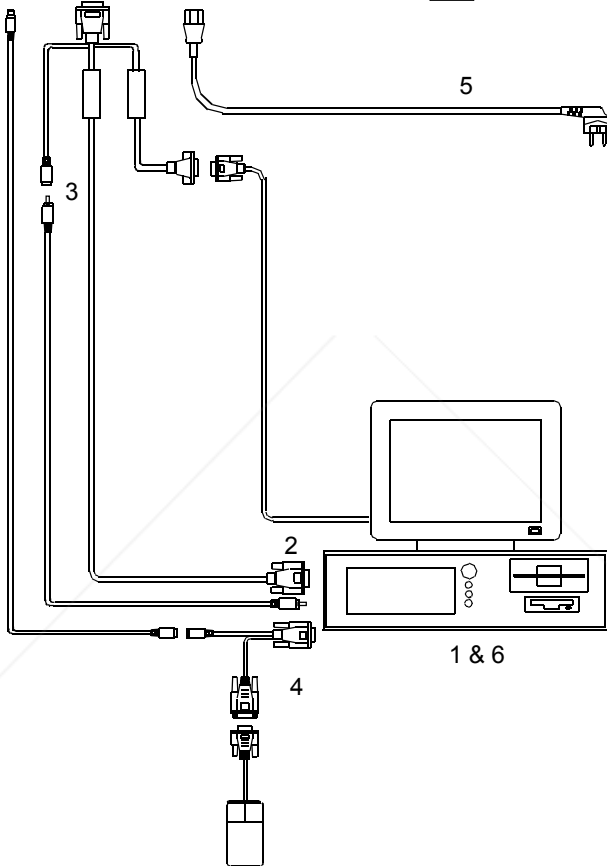
Press RESET to automatically adjust for position, width and stability. RESET is automatically invoked when a new source is connected.

CONTRAST AND BRIGHTNESS

Adjust CONTRAST and BRIGHTNESS as preferred.



1 & 6




Discount-Merchant.com (800) 281-8860
THE TRUSTED SOURCE FOR PROJECTOR LAMPS AND ACCESSORIES


TABLE OF CONTENTS

1	INTRODUCTION	5
2	SYMBOL DESCRIPTIONS	6
3	SAFETY INSTRUCTIONS	7
4	MAIN FEATURES	11
5	SUPPLIED MATERIAL	12
	5.1 STANDARD MATERIAL	12
	5.2 OPTIONAL MATERIAL	12
6	MAKING THE CONNECTIONS	13
7	IMAGE ADJUSTMENTS	16
8	USING THE PROJECTOR	18
	8.1 REMOTE CONTROL	18
	8.2 PROJECTOR KEYBOARD	21
	8.3 THE MENU SYSTEM	23
	8.3.1 THE SET-UP MENU SELECTIONS	24
	8.3.2 THE SOUND SELECTIONS	25
	8.3.3 THE OPTIONS SELECTIONS	26
	8.3.4 THE HELP SELECTIONS	28
9	CEILING MOUNTING	29
	9.1 SELECTING A MOUNT	29
	9.2 MOUNTING IN THE CEILING	30
	9.3 WIRING	30
10	TROUBLE-SHOOTING	31
11	MAINTENANCE	34
	11.1 GENERAL	34
	11.2 LAMP REPLACEMENT	34
	11.3 THE REMOTE CONTROL	36
12	TECHNICAL DATA	37
	12.1 GENERAL ENVIRONMENTAL LIMITS	37
	12.2 PROJECTOR UNIT	38
	12.3 POWER SUPPLY	38
	12.4 REMOTE CONTROL	39
	12.5 COMPATIBILITY	39
	12.6 PROJECTION DISTANCES	40
13	CONNECTORS	41
	13.1 SOURCE 1 & 2	41
	13.2 MOUSE 1	42
	13.3 AUDIO 1 & 2	42
	13.4 RS 232	42
	13.5 MOUSE 2	42
	13.6 REMOTE	43
14	ENVIRONMENTAL HANDLING	44
15	FCC STATEMENT	45

This publication is printed on recycled paper

The information contained in this User Guide, and the products described herein are subjected to change without prior notice.



FixYourDLP.com
Sponsored by 

Discount-Merchant.com (800) 281-8860
THE TRUSTED SOURCE FOR PROJECTOR LAMPS AND ACCESSORIES

1 INTRODUCTION

Thank you for purchasing this state of the art XGA high brightness projector!

For long and lasting, safe and secure operation, please read this user guide, and follow the instructions given. Failing to do so may cause product failure that could void any warranties given, and in some cases be harmful and dangerous to people.

For the experienced user, a quick set-up guide is included at the beginning of this manual.

Please retain this user guide for future reference.



Discount-Merchant.com (800) 281-8860
THE TRUSTED SOURCE FOR PROJECTOR LAMPS AND ACCESSORIES

2 SYMBOL DESCRIPTIONS



DANGEROUS VOLTAGE

This symbol indicates the presence of high voltages inside the product. High voltages may constitute electric shock and may be lethal.



WARNING

This symbol alerts the user of important operating, maintenance (servicing) and safety-related instructions.



HOT

This symbol indicates hot surfaces.



NOTE

This symbol is used to highlight specific information for the user.

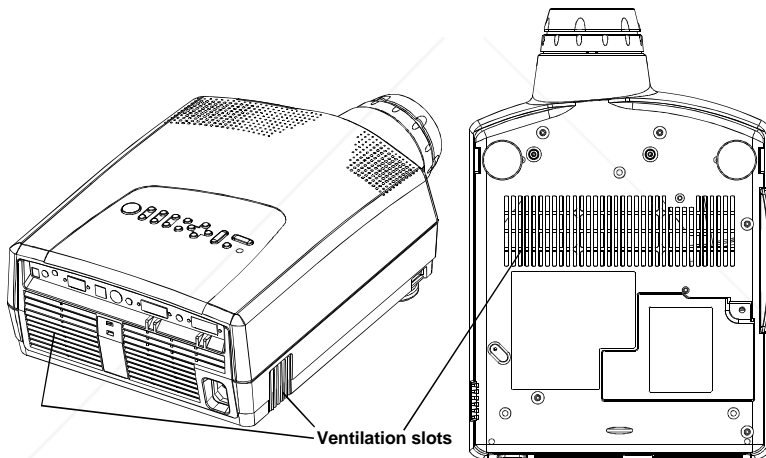
3 SAFETY INSTRUCTIONS

The following list of instructions is provided to ensure safe and risk free use and operation of the projector. Failing to read and follow these instructions may void any warranties and may also cause personal injury and material damage.

1. **READ INSTRUCTIONS** - All safety and operating instructions should be read before the projector is operated.
2. **RETAIN INSTRUCTIONS** - The safety and operating instructions should be retained for future reference.
3. **HEED WARNINGS** - All warnings on the projector and in the User Guide should be adhered to. If ignored, use of this projector may cause death, injury or material damage.
4. **CABLES AND CORDS** - Use only original cables and cords as supplied with the projector or as optional accessories. Using third party cables that may look identical may lead to material damage and personal injury, as the internal wiring in the cables may be different.
5. **LAMP LIFE** - The high-pressure lamp may explode if improperly used. When the lamp lifetime is exceeded, the projector will issue a warning on screen at start up, and a red indicator on the projector will light up. Change lamp with an identical spare part as described elsewhere in this User Guide.
6. **LAMP BEAM** - Do not look directly into the projector or lens when operating the projector. The lamp emits rays of strong light, which may cause eye injury and/or sunburns.
7. **WATER AND MOISTURE** - The projector is designed for indoor use only and should not be used near water and moisture.
8. **CARTS AND STANDS** - Place the projector on a stable, hard surface in a manner that does not obstruct ventilation ports and openings in the projector housing. Unstable carts, stands, tables and other arrangements may cause the projector to fall, which may cause serious injury to people and/or damaging the projector and other material.
9. **CEILING MOUNTING** - When mounting the projector in the ceiling always ensure that all screws, bolts and other fixing devices of the ceiling mount hardware are securely in place and tightened. Use only well dimensioned ceiling mounts from a renowned supplier. Connect the

projector to a switched mains power supply, and switch off when not in use, for maximum protection against fire. Switching off using the remote control only puts the projector in a standby (sleep) mode with live internal voltages.

- 10. VENTILATION** - Slots and openings in the projector housing (see illustration below) are provided for ventilation. Air inlet filters are employed to reduce dust build-up internally. Periodically vacuum the filters (from the outside of the ventilation grilles) as needed. To ensure reliable operation of the projector and protection from overheating, do not block or cover slots or openings in any way. Do not insert any foreign objects or instruments into the slots and openings, as this may block the ventilation fans. Do not place the projector on a soft surface (carpet etc.). Never install the projector in an enclosed unit unless it is properly ventilated by a separate cooling system.



- 11. HEAT** - The projector should be situated away from heat sources such as sunlight, radiators stoves or other strong heat sources. Do not operate the projector outside the maximum temperature specifications.
- 12. OBJECT OR LIQUID ENTRY** - Care should be taken that objects are not put or do not fall into the projector housing. Be careful not to spill liquids that may flow into the projector interior. Do not insert metal or flammable objects into the projector.
- 13. POWER SOURCES** - The projector must only be connected to proper electrical voltage as marked on the projector body, on the label at the power inlet. The projector should be connected to the electrical outlet

using a power cord compatible with the local electrical voltage. Never operate the projector outside the electrical voltage specification. If you are unsure about the type of electrical service at your location, please consult your dealer or local Power Company.

14. **POWER CORD PROTECTION** - Power cords should be routed so that they are not likely to be walked on, pinched or unduly bent by items placed upon or against them. Pay particular attention to cords and cables at the point where they exit from the projector.
15. **GROUNDING OR POLARIZATION** - Precautions should be taken so that grounding or polarization of the projector is maintained. Do not use a three-prong to a two-prong adapter.
16. **ELECTRICAL SHOCK** - To reduce the risk of electrical shock, do not open the unit. Refer all servicing to authorized personnel only.
17. **CLEANING** - The projector should be cleaned only as recommended, see the Maintenance section. Disconnect the power cord from the power outlet before cleaning. Do not use liquid, spray or aerosol cleaners.
18. **NON-USE PERIODS** - The power cord of the projector should be unplugged from the outlet when left unused for a long period of time.
19. **LAMP REPLACEMENT** - Replace projection lamp with same type and rating as shown in the Technical Data section. Allow unit to cool down before replacement.
20. **SERVICING** - The user should not attempt to perform unusual or technical service to the projector. Do not open the unit, except for the lamp replacement door. Refer all servicing to authorized personnel only. Replace damaged cords or cables with original replacement parts only.
21. **DAMAGE REQUIRING SERVICE** - The projector should be serviced by authorized personnel when:
 - Objects have fallen, or liquid spilled, into the projector
 - The projector has been exposed to water or moisture
 - The projector does not appear to operate normally (fan not working, noise, smell, smoke, heat etc.)
 - The projector has been dropped or damaged
22. **ABNORMALITY** - If you detect any abnormal smell or smoke, immediately disconnect power plug. Disconnect the power plug from the inlet to prevent fire or electrical shock.

23. **LIFTING AND MOVING** - Let the projector cool down before moving. Disconnect the power cord and all other cables. Carry the unit by the handle provided. The projector should preferably be transported in a suitable case.



Discount-Merchant.com (800) 281-8860
THE TRUSTED SOURCE FOR PROJECTOR LAMPS AND ACCESSORIES

4 MAIN FEATURES

The unit employs the following important features that in total provide you with a highly functional and powerful projector:

- **High brightness image**
- **Compact, light and portable**
- **Automatic adjustments/set-up**
- **User replaceable UHP-lamp**
- **True XGA 1024 x 768 resolution**
- **640 x 480 to 1280 x 1024 image compatibility**
- **16.7 million colors**
- **Stereo sound**
- **Infrared remote control with trackball mouse emulation**
- **Comprehensive menu system**
- **On screen display (OSD)**
- **User and source settings memorized**
- **Low noise cooling system**
- **False light blocking**
- **Power down management**
- **Digital zoom**

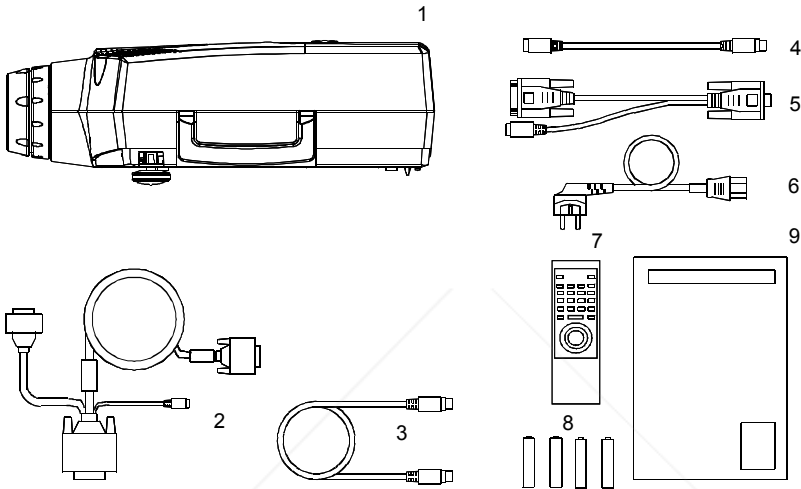


Discount-Merchant.com (800) 281-8860
THE TRUSTED SOURCE FOR PROJECTOR LAMPS AND ACCESSORIES

5 SUPPLIED MATERIAL

5.1 STANDARD MATERIAL

A complete set includes the following components:



1. LCD Projector
2. Computer cable
3. Mouse Cable
4. Mouse Adapter PS/2
5. Mouse Adapter PC (Y-Split)

6. Power Cord
7. Remote Control
8. Batteries
9. User Guide

* Soft Case (not shown in drawing)

The standard material is subject to change without prior notice

5.2 OPTIONAL MATERIAL

Optional cables, adapters and accessories are available. Consult your dealer for further information.

6 MAKING THE CONNECTIONS

The projector may be connected to different equipment. The following sections describe in detail how to connect to these systems.

See the illustration on the rear of the quick set-up card on how the various system parts connect together.

Be aware of static electricity that may build up in the dry season and when operating on synthetic carpets. Discharge any static electricity by touching a metallic surface before you start.

Various cables are supplied or optionally available to connect to different sources. Follow the list below in numerical order for a trouble-free set-up!

1. **SWITCH OFF** all equipment before making all the connections.
2. **COMPUTER CABLE.**
Connection to the projector is made through a basic computer cable and appropriate adapters.
 - **PC.** Use the computer cable directly to connect the graphics port of the PC to the SOURCE 1 or SOURCE 2 connector on the projector. If needed, connect your monitor cable to the free branch on the computer cable.
 - **MAC.** Use the optional MAC adapters, as marked, on the computer end of the computer cable to adapt to the graphics-port connector and monitor connector on the MAC.
 - **NEC.** Use the optional NEC adapters, as marked, on the computer end of the computer cable to adapt to the graphics-port connector and monitor connector on the NEC.



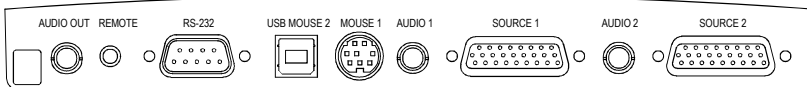
Discount-Merchant.com (800) 281-8860
THE TRUSTED SOURCE FOR PROJECTOR LAMPS AND ACCESSORIES

3. SOUND.

The computer cable has a sound input branch at the projector end. Connect sound from the computer using a standard 3.5-mm stereo jack line cable (not supplied), or use the additional sound inputs (AUDIO 1 for SOURCE 1 or AUDIO 2 for SOURCE 2).

4. MOUSE.

To enable mouse control from the remote control, a connection is made using a mouse cable and various adapters. Connect the cable directly to one of the MOUSE connectors on the projector (see illustration below). Connect the appropriate adapter to the free end of the mouse cable at the computer end as described below.



Connector panel

MOUSE 1

- SERIAL (RS 232).** Use the serial adapter with a branch for the local computer mouse. The serial adapter is fitted with a 9-pin DSUB connector. Use an extra 9- to 25-pin adapter (available from your dealer) if your computer has a 25-pin serial connector. Connect your computer mouse to the free branch of the adapter if desired. With some computers, the branched serial adapter may not work. For this purpose, an optional straight serial adapter is available.
- PS/2.** Use the PS/2 adapter that connects directly to your computer mouse port. Running the computer mouse in parallel is not possible, unless your computer itself has provision for two mice simultaneously. You may consider using the above serial adapter and run your mouse on the serial port instead, in order to be able to run your local mouse in parallel. This will require a different mouse driver setting. Please consult your computer documentation or local dealer for details.

MOUSE 2

- **USB.** Connect an optional USB cable directly to the USB port on the projector and the computer.
- **RS 232.** Connect an RS 232 cable, which is fitted with a 9-pin DSUB connector, but has no branch for the local computer mouse. Set the mouse control in the menu to MOUSE 2 under OPTION - RS232. Mouse control must be performed with the projector cursors or with the remote control.

5. MAINS POWER.

Connect the mains cord to the projector and all other equipment in the set-up. Please wait for 10 seconds, or until the POWER button shines a stable yellow light, before you switch on.

6. **SWITCH ON** by using the POWER button on the projector or the remote control. It is important to switch the projector on first in order for correct detection of the projector as a display and mouse peripheral device to the computer.



Discount-Merchant.com (800) 281-8860
THE TRUSTED SOURCE FOR PROJECTOR LAMPS AND ACCESSORIES

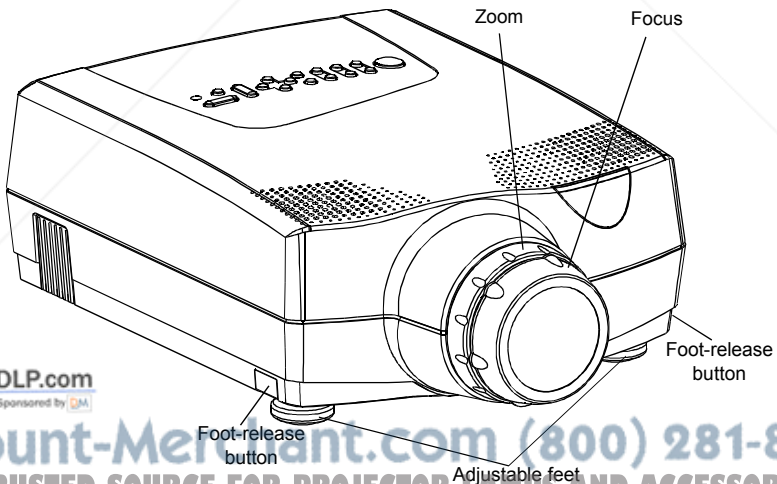
7 IMAGE ADJUSTMENTS

This section will aid in adjusting a stable, flicker-free image for best viewing results.

Use the remote control or the projector keypad to adjust settings, either directly or through the menu system.

The following list aids in a trouble free set-up of the projector. Try using a patterned background (tiles, checkerboard pattern etc) when adjusting the image.

1. **ZOOM, FOCUS AND POSITION IMAGE.** The projection lens has a manually adjustable zoom and focus. Place the projector at a suitable distance to the projection screen; alternatively zoom the image, to obtain the desired screen size. (See the *Technical Data* section for max and min projection distances.) Focus the image and observe that the picture elements (pixels) become sharp on screen. The projector has two adjustable feet in the front, so that the image can be shifted to a desired height on the wall. Tilt the projector body in the desired position and press the foot-release buttons. If necessary, fine adjust the height by screwing the feet either direction.



2. **RESET** in most cases automatically adjusts the image position, width (FREQUENCY) and stability (TUNE). If RESET fails to adjust the image correctly, see FREQUENCY, POSITION and TUNE below. RESET is automatically activated when a new source is connected.
3. **CONTRAST** and **BRIGHTNESS** may be adjusted according to your personal taste, the image and the viewing conditions. The controls are directly accessible on the remote control and on the projector keyboard.
4. **FREQUENCY**. The frequency controls the width of the image. A wrong frequency setting can be seen as equally spaced, vertical stripes or irregularities in the pattern displayed. Press the MENU key, SET-UP, FREQUENCY and press ENTER. Adjust the value up or down using the trackball or keyboard cursor controls, observing that the amount of vertical stripes reduces, until the distortion is gone. You may still have an unstable image, please see the next section.
5. **POSITION** the image correctly by accessing SET-UP, POSITION, then press ENTER and adjust position with the trackball or keyboard cursor controls
6. **TUNE** the image for a stable projection. In the menu, select SET-UP, TUNE and press ENTER. Adjust stability using the trackball.

Set-up should be done once with the source(s) you are using most frequently. Allow some minutes for the unit to warm up before adjusting the settings. Most settings will be memorized individually for each source for future use.



Discount-Merchant.com (800) 281-8860
THE TRUSTED SOURCE FOR PROJECTOR LAMPS AND ACCESSORIES

8 USING THE PROJECTOR

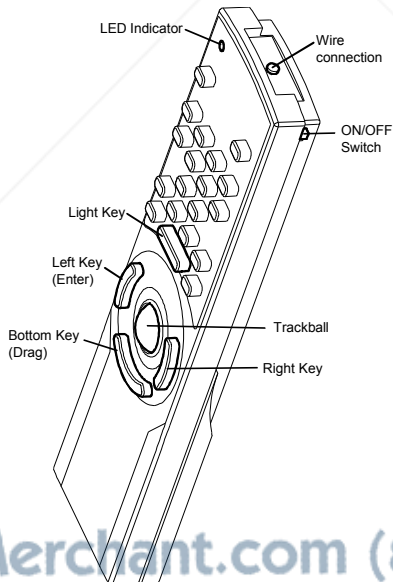
The projector has a set of features and functions you should familiarize with in order to get the most out of using the unit.

8.1 REMOTE CONTROL

The remote control is used to adjust the projector for the best possible image, either directly or through the menu system. It is also used during presentations for computer mouse control and with special presentation tools.



The remote control may be pointed directly at the projector front or rear, where the receivers are situated, or indirectly by pointing at the projection screen. When pointing at the screen, point at an angle that reflects the beam towards the projector. The remote control can also be physically connected to the projector using an optional cable with standard 2.5 mm mini-jack connectors.



Discount-Merchant.com (800) 281-8860
THE TRUSTED SOURCE FOR PROJECTOR LAMPS AND ACCESSORIES

The trackball is by default controlling the computer mouse (if the mouse cable is connected properly). With some functions, like POINTER, MASK and in the menu system, the mouse control is disabled.

In the menu system, the trackball is used for navigation between the different alternatives, and when a function is selected, the trackball is used for adjustment of that function.

The following table describes each key in detail. Some functions are memorized, while other functions are only momentary.

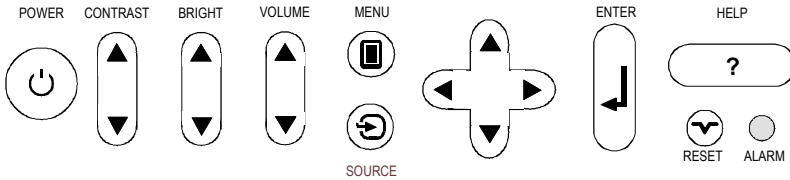
The MEM column indicates whether the function setting is memorized.

REMOTE CONTROL KEYS	FUNCTION	MEM
ON/OFF	Switches the remote control on/off.	-
CONTR	Contrast is the ratio between light and dark colors.	Yes
BRIGHT	Brightness (whiteness) of the image can be altered to suit local lighting conditions.	Yes
VOLUME	Volume of the audio output can be altered to suit local conditions.	Yes
POWER	Turns the projector into on or standby mode. Switches the projection lamp off, but leaves power on to the rest of the projector.	-
RESET	Automatically adjusts the image correctly	-
MASK	Applies a mask to the image, which can be moved up and down using the trackball.	-
PROG	This key may be programmed to any one of the menu controls.	Yes
MUTE	Switches the sound on/off.	No
FREEZE	Holds the image projected on the screen. This feature can be used to hide actions on the computer that the audience need not see, such as changes between software packages, or for returning the audience's attention back to the presenter!	No

REMOTE CONTROL KEYS	FUNCTION	MEM
SOURCE 1&2	Selects between SOURCE 1 and SOURCE 2 as the active source.	No
POINTER	Applies a trackball-controlled pointer to the screen.	No
ZOOM	Press to zoom in on the image. Use the trackball or the cursor keys on the projector keyboard to zoom in or out. Change the zoom area by using PAN. Push ZOOM to escape.	No
PAN	Allows panning within oversized images using the trackball. For details see <i>The Options Selections</i> section.	-
LIGHT	Press to illuminate the keypad.	-
MENU	Invokes the menu system.	-
TRACKBALL	The trackball is mainly used to control the mouse pointer (if the mouse cable is attached properly). When ZOOM, MASK, PAN or MENU is invoked, mouse control is disabled, as the trackball is used to control these functions instead. Trackball sensitivity, except for the mouse, is set under OPTIONS in the menu system. Mouse sensitivity is set at your computer as with the standard mouse.	-
RIGHT	Emulates the right mouse key.	-
BOTTOM/ DRAG	This emulates the 'click-and-hold' function of the desktop mouse. Use DRAG instead of RIGHT key when connected to a Macintosh computer.	-
LEFT/ ENTER	Emulates the left mouse key. Once the menu is accessed selections are confirmed using ENTER.	-

8.2 PROJECTOR KEYBOARD

The keypad on the projector gives access to all controls, either directly or through the menu system.



KEYBOARD KEYS	FUNCTION	MEM
POWER	Turns the projector on or into standby mode. Switches the projection lamp off, but leaves power on to the rest of the projector.	-
CONTRAST	Contrast is the ratio between light and dark colors.	Yes
BRIGHT	Brightness (whiteness) of the image can be altered to suit local lighting conditions.	Yes
VOLUME	Volume of the audio output can be altered to suit local conditions.	Yes
MENU	Invokes the menu system.	-
SOURCE	Toggles between source 1 & 2	-
CURSOR KEYS	The cursor keys are used to navigate in the menu system	-
ENTER	Emulates the left mouse key. Once the menu is accessed selection are confirmed using ENTER.	-
HELP	Enters help-section in menu	-
RESET	Automatically adjusts the image correctly	-



Discount-Merchant.com (800) 281-8860
 THE TRUSTED SOURCE FOR PROJECTOR LAMPS AND ACCESSORIES

INDICATORS	FUNCTION
POWER	<ul style="list-style-type: none">• NO LIGHT indicates that the unit power cord is disconnected.• GREEN FLASHING indicates that the POWER key has been pressed and the fan is starting.• GREEN indicates that the unit is operational.• YELLOW indicates that the unit is in standby mode (switched off using the remote control or the keypad)
ALARM	<ul style="list-style-type: none">• RED indicates lamp lifetime overdue.• RED FLASHING when the projector is overheated.



Discount-Merchant.com (800) 281-8860
THE TRUSTED SOURCE FOR PROJECTOR LAMPS AND ACCESSORIES

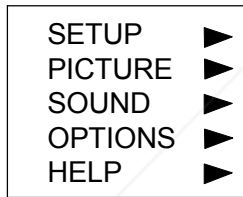
8.3 THE MENU SYSTEM

The menu system is designed to gain access to functions not often used, as opposed to frequently used features that are directly available through the remote control and the projector keypad.



The following description assumes that you have chosen your mother tongue under OPTIONS (LANGUAGE).

Press the MENU key to invoke or exit from the menu system (see illustration below). When the menu is active, the trackball is used to navigate between options (and therefore is not available for mouse control etc. at the same time). The ENTER key is used to activate or deactivate a function.



The PROG key on the remote control may be assigned to any of the menu functions.

Toggle functions (like OSD, REAR etc) are tagged when active and untagged when not active.

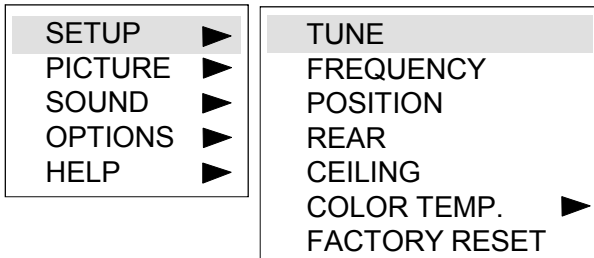
Increase/decrease functions (like TUNE and FREQUENCY etc) are adjusted using the trackball or keyboard cursor controls. The OSD field (in the lower left corner of the screen) indicates the actual settings.

The menu system is toggled on and off with the MENU key. The MENU is also switched off after one minute of inactivity. Most settings are memorized unless otherwise noted.

The main menu selections SETUP, SOUND, OPTIONS and HELP are explained in detail below.

Features available with some sources only are shown in grey color characters, while generally available functions are in normal case.

8.3.1 THE SET-UP MENU SELECTIONS



TUNE is used to stabilize the image. An untuned image can be seen as sideways instability or “swimming”.

FREQUENCY is provided to adjust image width. Generally, an incorrect frequency setting can be observed as an image too wide or too narrow, combined with vertical, unstable bands.

POSITION. Due to minor variations in graphic cards, the horizontal and vertical position may need adjustment. Select POSITION, then press LEFT and use the cursor keys or trackball.

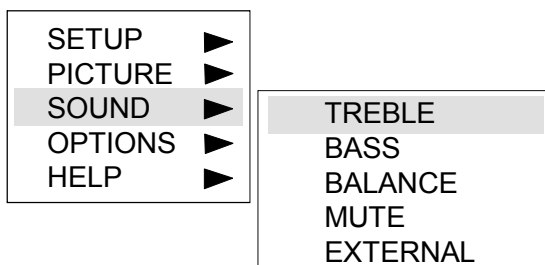
REAR inverts the image for use in rear projection arrangements i.e. projection from the back of a screen.

CEILING switches between an upright and an upside-down projection by flipping the image vertically.

COLOR TEMP. (Color Temperature) adjusts the red and blue color components.

FACTORY RESET. This function resumes factory settings of all parameters.

8.3.2 THE SOUND SELECTIONS



TREBLE controls the higher sound range.

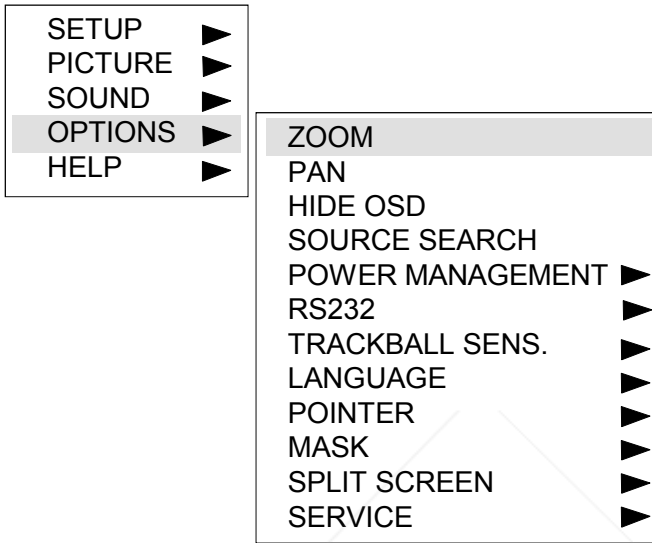
BASS controls the lower sound range.

BALANCE controls the sound balance between the two stereo speakers.

MUTE switches the sound on/off separately for each source.

EXTERNAL toggles between internal speakers and the audio line output. The audio line output is used to connect external speakers through an external amplifier.

8.3.3 THE OPTIONS SELECTIONS



ZOOM Press to zoom in on the image. Use the trackball or the cursor keys on the projector keyboard to zoom in or out. Change the zoom area by using PAN. Push ZOOM to escape.

PAN. Allows panning within oversized images using either the keyboard cursor keys or the remote control trackball. The XGA projector being a native XGA unit handles SXGA resolutions somewhat different than we are used too. The A10 automatically compresses resolutions, above its native XGA resolution.

To use the Pan feature:

Invoke the Zoom option by pressing the Zoom button on remote (Scale on older remotes) .Notice the magnifying glass OSD in lower left corner of display.

Using the trackball:

Zoom the image to desired size. Invoke the Pan option by pressing the Pan button on remote. Notice the Pan OSD in lower left corner of display.

Using the trackball, pan the image left/right up/down. Press the Pan button to exit Pan mode. Notice the Pan Off OSD in lower left corner of display.

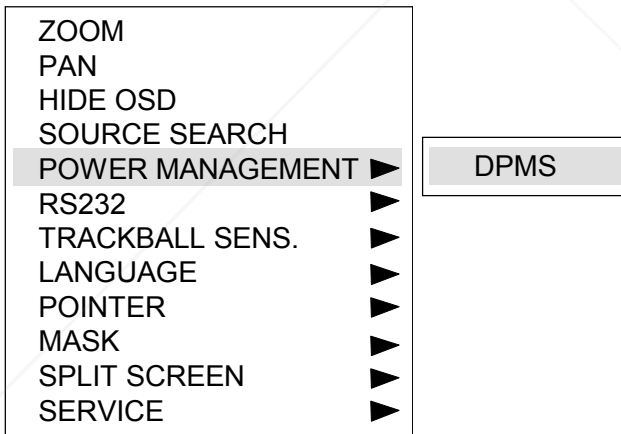
Exiting Pan mode leaves you in the Zoom mode. To exit Zoom, press Zoom a second time.

HIDE OSD switches the on-screen echoing of controls on and off. This setting only affects the direct control operations, not the menu system. This setting is not memorized.

SOURCE SEARCH is a toggle function that controls whether the projector shall automatically search for an active source or not. Manual source selection is maintained between active sources. Source priority is SOURCE 1 then 2. If SOURCE SEARCH is off (not tagged), the manually selected source is maintained, regardless of signal presence. If SOURCE SEARCH is active, the projector will switch to the next priority active source, regardless of manual selection.

POWER MANAGEMENT. System initiating power down of the projector to avoid image imprint on the module.

When DPMS is selected, the projector will go into standby mode after 10 minutes without source detection. In default setting the DMPS function is set to off.



RS232. A toggle setting selecting the function of the RS232 connector. If the option MOUSE 2 is selected it will function as mouse for SOURCE 2. If the option CONTROL is selected the connector is configured for RS232 control. For details please refer to the manufacturers home page on Internet (see adress on user guide cover or contact local dealer).

TRACKBALL SENSITIVITY. Controls the response of the remote control trackball in the menu system. (It does not affect the response of the computer mouse. Please adjust mouse sensitivity on the computer). FAST, MEDIUM and SLOW are available options.

LANGUAGE. A selection of languages is available for the menu options, including English, German, French, Italian, Spanish, Norwegian, Japanese, Korean and Chinese. Other languages may apply.

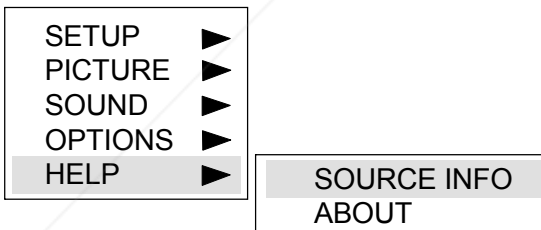
POINTER selects the pointer appearance. Options include BALL, ARROW and CROSS. Other shapes may apply.

MASK selects whether the mask is applied downwards or upwards.

SPLIT SCREEN selects between ordinary full screen and split screen, which is used to project a large image with four projectors. Options include UPPER LEFT, LOWER LEFT, UPPER RIGHT and LOWER RIGHT.

SERVICE is used to reset the lamp timer.

8.3.4 THE HELP SELECTIONS



SOURCE INFO provides a status list of parameters relating to the source selected.

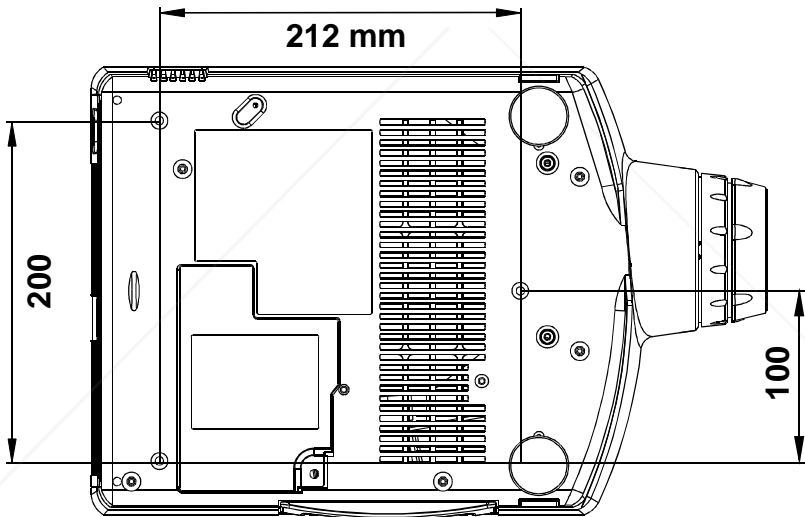
ABOUT provides system information about the projector.

9 CEILING MOUNTING

The projector is prepared for ceiling mounting. As opposed to desktop use, ceilings vary in height and material. Also considerations must be made with respect to signal and power wiring.

9.1 SELECTING A MOUNT

Various mounting systems are available from different sources. Contact your dealer for further details or consult vendor catalogs. Be sure that the vendor has tested the mount with this specific projector for operational safety. Check that the mounting brackets fit the integral M4 screw mounts of the projector (illustration below), and that the ventilation slots are not blocked.



9.2 MOUNTING IN THE CEILING



An improperly mounted projector is a potential danger to people and equipment. A projector and mount falling down may cause personal injury and material damage. Such damage caused by bad workmanship in mounting and operation may lead to legal action and should be avoided.



Avoid ceiling mounting of the projector in areas of frequent or probable earthquakes.

When fixing the mount in the ceiling, be sure to check the ceiling material and if it will hold the total weight of the mount and the projector. Look for wood, steel beams or concrete that will secure a good and lasting fixture. Avoid plaster or other fragile materials that do not have sufficient structural properties. Follow the detailed instructions supplied with the ceiling mount for proper mounting and operation.

After having mounted the projector in the ceiling, test if the holding force is sufficient by adding a load to the mount at least double the weight of the combined projector and mount. The mount should hold this extra weight with no sign of fatigue and with no sign of mounting screws loosening.

9.3 WIRING

Ceiling mounted projectors require long signal and power wires.

The signals should be wired using high quality coaxial cable. The cables usually need to be customized. Some vendors have specialized in this field. Contact your dealer for further detail.


If the signal cables run over a longer distance from the source to the projector, a line buffer (distribution amplifier) may be needed (available from third party vendors).




For potential fire reasons, the power wiring should be separately switched so that the projector can be switched off completely when not in use. The POWER on the remote control only suspends operation of the projector without switching off completely.

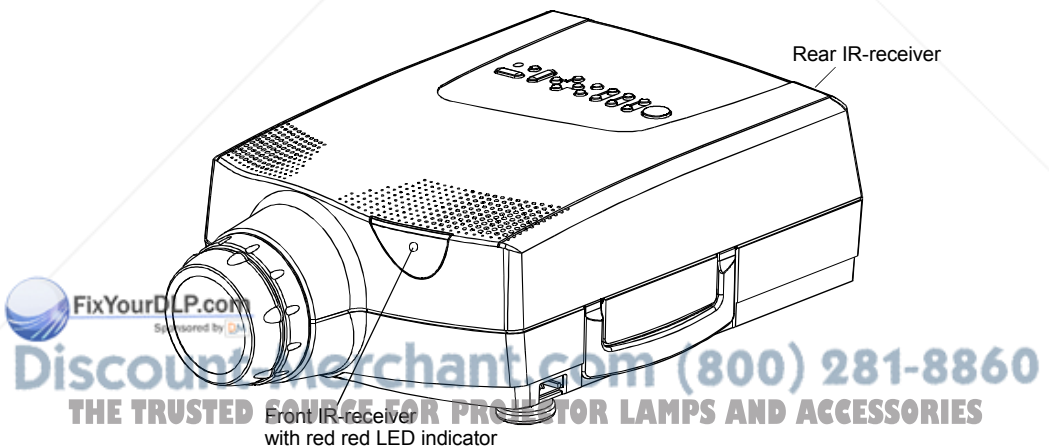
10 TROUBLE-SHOOTING

This is a checklist to help you pinpoint any problem that may arise. Check the symptoms carefully if you experience any problem. The cure may be at your fingertips!

	<p><i>Always check that the red LED indicator in the front of the projector flashes when a key on the remote control is pressed. This indicates that the projector is receiving signals from the remote control.</i></p>
---	--

SYMPTOM	SOLUTION
<p>The projector does not work</p>	<ul style="list-style-type: none"> • Check if the mains cable is attached properly. • Toggle the POWER button on the remote control or the POWER button on the projector.
	<p><i>Be aware that the projector has to cool down for 30 seconds after entering standby-mode, before it can be turned back on again.</i></p>
<p>The projected image is completely black/only displaying logo</p>	<ul style="list-style-type: none"> • The unit may have overheated due to the ventilation slots being covered while the projector was in use. Also ensure that the ambient temperature is within spec. Check the air inlet filters, as they may need vacuuming (see <i>Maintenance</i>). Wait until the unit has completely cooled down before using again. • Check if a source is connected.
<p>The projected image is too dark or too light.</p>	<ul style="list-style-type: none"> • Adjust the CONTRAST and BRIGHTNESS settings. • Press RESET, which will remove the pre-determined settings for the current source, and make the set-up adjustments again.
<p>Some colors are unstable or flickering</p>	<ul style="list-style-type: none"> • Check first that there are no loose cable connections, or any bent pins in the cable connector. • You can try to adjust the image quality with the CONTRAST and BRIGHTNESS keys. • Try to improve the tuning by accessing TUNE in the menu system.

<i>SYMPTOM</i>	<i>SOLUTION</i>
The whole image appears to be unstable or misplaced	<ul style="list-style-type: none"> • Adjust the frequency and tuning settings (instability), or the image position settings (misalignment). • Check that you are using a source with compatible resolution. • The projector may be connected to a source with a non-standard computer (or video card). Adjust the frequency and position of the image.
Cooling fan is not working	<ul style="list-style-type: none"> • If the fan does not work the projector must not be used and should be returned to your dealer for repair.
The remote control is not working	<ul style="list-style-type: none"> • The red LED on the remote control should flash when transmitting. If not, check batteries. • Make sure you point the remote control at the projection screen or directly at the IR receivers. The front red LED indicator flashes when receiving signals from the remote (see illustration below). • The maximum range of the IR transmitters is 15m (50 feet) - Are you standing close enough? • If the effective range of the transmitters is significantly reduced, the remote control needs new batteries.



<i>SYMPTOM</i>	<i>SOLUTION</i>
The desktop mouse is not working	<ul style="list-style-type: none">• Remember that the mouse must be connected before the computer source is switched on. MOUSE 1 works together with SOURCE 1, and MOUSE 2 works together with SOURCE 2.• Are the mouse cable and mouse adapter connections secure?• Check the mouse driver settings on the computer• You must boot the computer after the cable has been connected for it to recognise the mouse. If you are unsure whether this was the case, reboot your computer.



Discount-Merchant.com (800) 281-8860
THE TRUSTED SOURCE FOR PROJECTOR LAMPS AND ACCESSORIES

11 MAINTENANCE

The projector needs very little maintenance in order to function properly.

11.1 GENERAL

Use a damp cloth to wipe off dust on the exterior. Clean the lens with a damp, non-abrasive cloth, using just water or a standard lens cleaning solution available from photographic dealers.



Vacuum the air inlets periodically, especially when build-up of dust is observed. This will ensure cool operation of the unit.

Do not scratch the lens surface. Use the lens cap when the projector is not in use for added protection. Remember to remove the lens cap before operating the unit!

11.2 LAMP REPLACEMENT

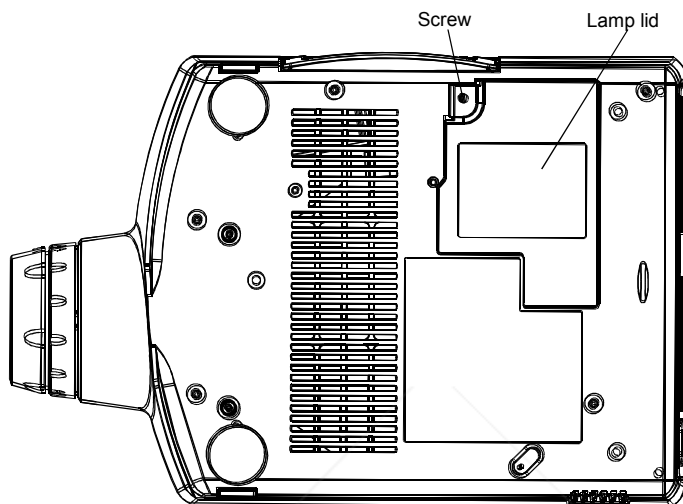
The projector is using a custom 120W UHP-lamp for illumination. The lamp is high pressure when hot (operating or immediately after switch-off). Lamp pressure is normal when cold.

A lamp timer is available in the menu system under HELP, ABOUT, that may be used to track lamp operating time. The user may reset the timer.

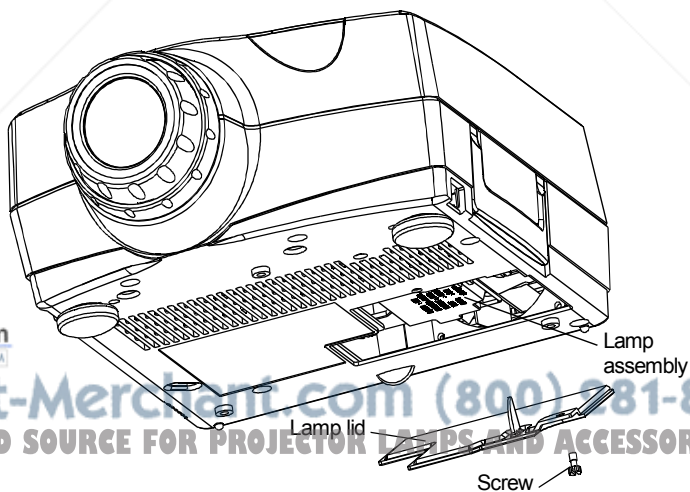


Disconnect the power cord before opening the lamp lid to change the lamp.

To change lamp, unscrew the lamp lid. A safety switch will cut off the power supply to the lamp completely. Unscrew the lamp holder, fold out the handle and pull out the old lamp holder. Insert a new lamp. Insert a new lamp.



Projector seen from below



Projector lamp assembly

FixYourDLP.com
Sponsored by DM

Discount-Merchant.com (800) 281-8860
THE TRUSTED SOURCE FOR PROJECTOR LAMPS AND ACCESSORIES

Push the lamp holder all the way until it positively stops and mount the screw. Fold the handle and remount the lamp lid. Mount all screws well.



Use only original lamp and holder as specified. The lamp is individually adjusted with the holder to maintain optimum illumination. Replacement using a different lamp may result in poor illumination, malfunction (potentially explosion) and will void any warranties.

To reset the lamp timer, invoke the menu system under OPTIONS, SERVICE, and LAMP TIMER RESET. You need to confirm that you actually intend to reset the lamp timer, or cancel if you accidentally invoked the function.

11.3 THE REMOTE CONTROL

The infrared remote control requires little maintenance.

The trackball element may be cleaned occasionally with a damp (not wet) cloth. To take out the ball, twist the ring holding the ball anti-clockwise. Having taken out the ball, you may also clean the trackball interior using a damp (not wet) cotton swab.

To change the batteries, open the battery holder on the rear of the handset. Remove the old batteries and dispose of carefully. Insert new batteries of the type described in the *Technical Data* section, observing the polarity instructions inside the battery holder, and close the clip-shut door. Switch the remote control back on by using the ON/OFF-switch on the side of the remote. Test that the remote control functions correctly by pressing the LIGHT key to see if the backlighting operates properly.

12 TECHNICAL DATA



The technical data given in this section was correct at the time of going to print, but may change without prior notice in order to improve product performance.

This projector is designed for indoor use and should not be operated or stored in conditions outside the general environmental limits given in section below, as this may lead to permanent damage and will violate any warranties.

12.1 GENERAL ENVIRONMENTAL LIMITS

Storage temperature	-20 - 60°C (-4 - 140 F), sea level
Storage humidity	10 - 90 % relative humidity, non-condensing
Operating temperature	10 – 30 °C (50 - 86 F) ambient, sea level
Operating humidity	20 - 80 % relative humidity



Allow for slow acclimatization after storing at extreme temperatures and humidities, to avoid condensation. Should condensation appear, leave the projector unit in a controlled environment within the operating limits until the condensation has evaporated before using the projector.

12.2 PROJECTOR UNIT

PROJECTOR DIMENSIONS (H x W x L)	118 x 262 x 312 (399 incl. lens) mm 4.6 x 10.3 x 12.3 (15.7incl. lens) inch
PROJECTOR WEIGHT	4.9 kg / 10.8 lbs.
PROJECTION LENS	Manual zoom and focus lens 1.3 zoom ratio f 45-59 mm F 2.0 – 2.3
IMAGE SIZE	0.76 - 7.62 m / 30 - 300 inches (wide) 0.58 - 5.84 m / 23 - 230 inches (Tele)
PROJECTION DISTANCE	1.2 - 12 m / 3.9 – 39.3 ft
ANTI-KEystone CORRECTION	12 degrees
PROJECTION LAMP	120 W UHP
LIGHT OUTPUT	1200 ANSI lumen
LIGHT VALVE	1.3" polysilicon TFT LCD
COLOR RESOLUTION	16.7 MILLION
CONTRAST RATIO	300:1
PIXEL RESOLUTION	1024 x 768 x 3
DEFECTIVE PIXELS	10 (max)
VIDEO FREQUENCY	12 - 150 MHz
HORIZONTAL SYNC	15 - 100 Hz
VERTICAL SYNC	43.5 - 130 Hz
COMPUTER INPUT	0 - 1 Vpp
AUDIO INPUT	1V RMS
SPEAKERS	2 x 5 W speakers
CONFORMANCE	<ul style="list-style-type: none"> • CE • UL • cUL • FCC, Subpart J, Part 15

12.3 POWER SUPPLY

DUAL VOLTAGE	100 - 120 VAC, 60 Hz, +/- 10 % 220 - 240 VAC, 50 Hz, +/- 10 % 250 W operating
--------------	---

12.4 REMOTE CONTROL

UNIT SIZE (H x W x L)	20 x 50 x 190 mm / 0.78 x 1.97 x 7.48 inch
UNIT WEIGHT	100 g / 0.22 lb. (with batteries)
BATTERIES	4 pcs LR03/AAA 1.5V penlight
FUNCTIONAL RANGE	15 m (50 ft)/Using cable 20 m (66 ft)
COMPATIBILITY	Microsoft 2-key serial; MAC; PS/2
CONFORMANCE	CE, FCC

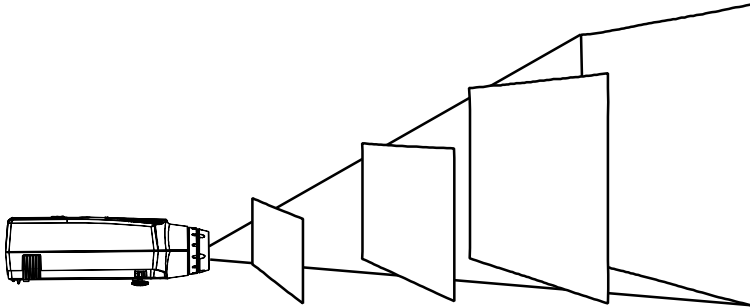
12.5 COMPATIBILITY

The projector is compatible with the interfaces and resolutions shown below, some of which are predefined. However since different varieties of these exist, a frequency adjustment may be needed.

MODE	RESOLUTION
VGA	640 x 350 640 x 400 640 x 480 720 x 400
SVGA	800 x 600
XGA	1024 x 768 (native)
SXGA	1280 x 1024 (compressed)
MAC	640 x 480 832 x 624 1024 x 768 1152 x 870 (compressed)
NTSC	640 x 480
PAL/ SECAM	768 x 576

12.6 PROJECTION DISTANCES

The following table shows the combinations of projection distances and screen sizes that are possible.



	MINIMUM			MAXIMUM
WIDE				
DISTANCE	1.20m/ 47"	3.20m/ 126"	5.60m/ 220"	12.00m/ 472"
DIAGONAL	0.76m/ 30"	2.00m/ 80"	3.56m/ 140"	7.62m/ 300"
WIDTH	0.61m/ 24"	1.63m/ 64"	2.84m/ 112"	6.10m/ 240"
HEIGHT	0.46m/ 18"	1.22m/ 48"	2.13m/ 84"	4.57m/ 180"
TELE				
DISTANCE	1.20m/ 47"	3.10m/ 122"	5.30m/ 209"	12.00m/ 472"
DIAGONAL	0.58m/ 23"	1.52m/ 60"	2.54m/ 100"	5.84m/ 230"
WIDTH	0.47m/ 18"	1.22m/ 48"	2.00m/ 80"	4.67m/ 184"
HEIGHT	0.35m/ 14"	0.91m/ 36"	1.52m/ 60"	3.51m/ 138"

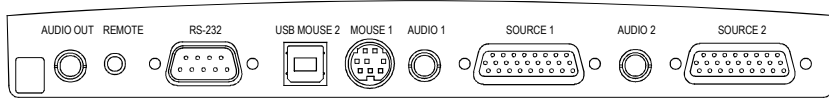
Actual image size at any given distance may vary from specifications.



Discount-Merchant.com (800) 281-8860
THE TRUSTED SOURCE FOR PROJECTOR LAMPS AND ACCESSORIES

13 CONNECTORS

The pinouts of all the connector ports is described in this section.



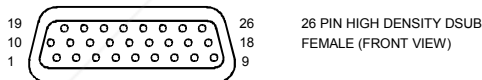
Connector panel



Do not connect any devices or cables other than those supplied with the projector into the connector ports on the projector unit, even if the connector ports appear identical, as this voids any warranty and may cause permanent damage to the projector.

13.1 SOURCE 1 & 2

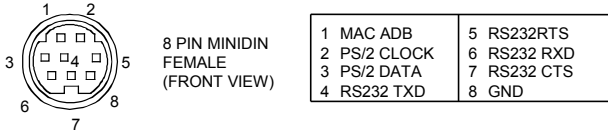
This connector relays all signals from the computer to the projector, and also back to a local CRT monitor if required.



1 ANALOG R IN	10 ANALOG R GND IN	19 HSYNC IN
2 ANALOG G IN	11 ANALOG G GND IN	20 C/VSYNC IN
3 ANALOG B IN	12 ANALOG B GND IN	21 DIGITAL GND
4 RESERVED	13 RESERVED	22 RESERVED
5 RESERVED	14 RESERVED	23 RESERVED
6 RESERVED	15 RESERVED	24 DIGITAL GND
7 ANALOG R OUT	16 ANALOG R GND OUT	25 HSYNC OUT
8 ANALOG G OUT	17 ANALOG G GND OUT	26 VSYNC OUT
9 ANALOG B OUT	18 ANALOG B GND OUT	

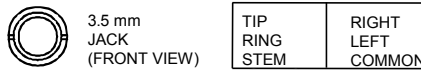
13.2 MOUSE 1

This port is used to relay mouse signals (Serial RS 232, PS/2 and Mac) from the projector to the computer.



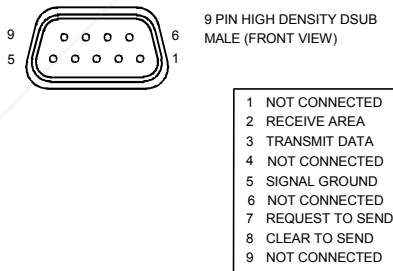
13.3 AUDIO 1 & 2

These ports are used for additional sound inputs.



13.4 RS 232

This port is used for RS 232 control of the projector. It can also be used as an additional serial mouse port in combination with SOURCE 2.



13.5 MOUSE 2

This port is used for USB (Universal Serial Bus) mouse control.



Discount-Merchant.com (800) 281-8860
 THE TRUSTED SOURCE FOR PROJECTOR LAMPS AND ACCESSORIES

13.6 REMOTE

This connector is used for remote control cable (20 m).



2.5 mm
JACK
(FRONT VIEW)

TIP	SIGNAL
RING	+ 5V
STEM	GND



Sponsored by 

Discount-Merchant.com (800) 281-8860
THE TRUSTED SOURCE FOR PROJECTOR LAMPS AND ACCESSORIES

14 ENVIRONMENTAL HANDLING

Care has been taken in the manufacture of this projector so that environmental stress and pollution has been minimized. No CFCs are used during the manufacture of the unit. Where possible, recyclable materials have been used to minimize the environmental impact.

The delivery packaging can be recycled without further ado.

With respect to the projector unit itself, thought should be given to the eventual disposal of the unit in the most environmentally friendly manner considering the mechanical, electronic and chemical components inside. If possible, return the unit to a specialized company handling electronic waste.



Discount-Merchant.com (800) 281-8860
THE TRUSTED SOURCE FOR PROJECTOR LAMPS AND ACCESSORIES

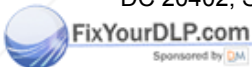
15 FCC STATEMENT

This equipment complies with the limits for a Class A computing device, pursuant to Subpart J of Part 15 of FCC rules. Only peripherals (computer input/output devices, terminals, printers, etc.) certified to comply with the Class A limits may be attached to a computer that complies with Class A limits. When connecting to a peripheral device, a shielded input/output cable is required to ensure compliance with FCC rules. The shielded cable that must be used is supplied with the equipment. Operation with non-certified peripherals or non-shielded cables is likely to result in interference to radio and TV reception.

This equipment generates and uses radio-frequency energy and, if not installed and used in accordance with the instruction manual, may cause interference to radio and television reception. It has been tested and found to comply with the limits for a Class A computing device in accordance with the specifications in Subpart J of Part 15 of the FCC rules, which are designed to provide reasonable protection against such interference when operated in a commercial environment. However, there is no guarantee that interference will not occur in a particular installation. If this equipment does cause interference to radio or television reception, which can be determined by turning the equipment off and on, the user is encouraged to try to correct the interference by one or more of the following measures:

- Reorient the receiving antenna.
- Relocate the projector with respect to the receiver.
- Plug the equipment to a different outlet so that equipment and receiver are on different branch circuits.
- Fasten cables using mounting screws to ensure adequate EMI control.

You may require the following booklet from the Federal Communications Commission (FCC): "How to identify and resolve radio and TV interference problems", available from the U.S. Government Printing Office, Washington, DC 20402, Stock No. 004-000-00345-4.



Discount-Merchant.com (800) 281-8860
THE TRUSTED SOURCE FOR PROJECTOR LAMPS AND ACCESSORIES



Disclaimer

This user manual is provided as a free service by FixYourDLP.com. FixYourDLP is in no way responsible for the content of this manual, nor do we guarantee its accuracy. FixYourDLP does not make any claim of copyright and all copyrights remain the property of their respective owners.

About FixYourDLP.com

FixYourDLP.com (<http://www.fixyourdpl.com>) is the World's #1 resource for media product news, reviews, do-it-yourself guides, and manuals.

Informational Blog: <http://www.fixyourdpl.com>

Video Guides: <http://www.fixyourdpl.com/guides>

User Forums: <http://www.fixyourdpl.com/forum>

FixYourDLP's Fight Against Counterfeit Lamps:

<http://www.fixyourdpl.com/counterfeits>

Sponsors:

RecycleYourLamp.org – Free lamp recycling services for used lamps:

<http://www.recycleyourlamp.org>

Lamp Research - The trusted 3rd party lamp research company:

<http://www.lampresearch.com>

Discount-Merchant.com – The worlds largest lamp distributor:

<http://www.discount-merchant.com>



FixYourDLP.com

Sponsored by 