



Disclaimer

This user manual is provided as a free service by FixYourDLP.com. FixYourDLP is in no way responsible for the content of this manual, nor do we guarantee its accuracy. FixYourDLP does not make any claim of copyright and all copyrights remain the property of their respective owners.

About FixYourDLP.com

FixYourDLP.com (<http://www.fixyourdlp.com>) is the World's #1 resource for media product news, reviews, do-it-yourself guides, and manuals.

Informational Blog: <http://www.fixyourdlp.com>

Video Guides: <http://www.fixyourdlp.com/guides>

User Forums: <http://www.fixyourdlp.com/forum>

FixYourDLP's Fight Against Counterfeit Lamps:

<http://www.fixyourdlp.com/counterfeits>

Sponsors:

RecycleYourLamp.org – Free lamp recycling services for used lamps:

<http://www.recycleyourlamp.org>

Lamp Research - The trusted 3rd party lamp research company:

<http://www.lampresearch.com>

Discount-Merchant.com – The worlds largest lamp distributor:

<http://www.discount-merchant.com>



FixYourDLP.com

Sponsored by 



OWNER'S OPERATING MANUAL



VX-2c
VX-2dc

**Digital Light Processing™ Projector
and DHD Controller**
Software Version 2.00



Discount-Merchant.com (800) 281-8860

THE TRUSTED SOURCE FOR PROJECTOR LAMPS AND ACCESSORIES



THE WORLD'S FINEST HOME THEATER PRODUCTS™



Discount-Merchant.com (800) 281-8860
THE TRUSTED SOURCE FOR PROJECTOR LAMPS AND ACCESSORIES

TWO YEAR LIMITED WARRANTY

For Projectors, Video Processors and Controllers

Congratulations on your purchase of a Runco video product and welcome to the Runco family! We believe Runco produces "The World's Finest Home Theater Products." With proper installation, setup and care, you should enjoy many years of unparalleled video performance.

This is a LIMITED WARRANTY as defined in the Magnuson-Moss Warranty Act. Please read it carefully and retain it with your other important documents.

WHAT IS COVERED UNDER THE TERMS OF THIS LIMITED WARRANTY:

SERVICE LABOR: Runco will pay for service labor by Runco Authorized Service Center when needed as a result of manufacturing defect for a period of two (2) years from the effective date of delivery to the end user (excluding the lamp).

PARTS: (Not including the lamp) Runco will provide new or rebuilt replacement parts for the parts that fail due to defects in materials or workmanship for a period of two (2) years from the effective date of delivery to the end user. Such replacement parts are then subsequently warranted for the remaining portion (if any) of the original warranty period.

PROJECTOR LAMP: Runco will pay for service labor by a Runco Authorized Service Center when needed as a result of a manufacturing defect for a period of six (6) months or 1000 hours, which ever comes first, from the effective date of delivery to the end user. In addition, Runco will provide a new or rebuilt replacement lamp for the lamp that fails due to defects in materials or workmanship for a period of six (6) months or 1000 hours, which ever comes first, from the effective date of delivery to the end user. Such replacement lamps are then subsequently warranted for the remaining portion (if any) of the original warranty period.

WHAT IS NOT COVERED UNDER THE TERMS OF THIS LIMITED WARRANTY:

This Limited Warranty only covers failure due to defects in materials and workmanship that occur during normal use and does not cover normal maintenance. This Limited Warranty does not cover cabinets or any appearance items; failure resulting from accident, misuse, abuse, neglect, mishandling, misapplication, faulty or improper installation or setup adjustments; improper maintenance, alteration, improper use of any input signal; damage due to lightning or power line surges, spikes and brownouts; damage that occurs during shipping or transit; or damage that is attributed to acts of God. In the case of remote control units, damage resulting from leaking, old, damaged or improper batteries is also excluded from coverage under this Limited Warranty.

CAUTION: THIS LIMITED WARRANTY ONLY COVERS RUNCO PRODUCTS PURCHASED FROM RUNCO AUTHORIZED DEALERS. ALL OTHER PRODUCTS ARE SPECIFICALLY EXCLUDED FROM COVERAGE UNDER THIS LIMITED WARRANTY. MOREOVER, DAMAGE RESULTING DIRECTLY OR INDIRECTLY FROM IMPROPER INSTALLATION OR SETUP IS SPECIFICALLY EXCLUDED FROM COVERAGE UNDER THIS LIMITED WARRANTY.

RIGHTS, LIMITS AND EXCLUSIONS:

Runco limits its obligations under any implied warranties under state laws to a period not to exceed the warranty period. There are no express warranties. Runco also excludes any obligation on its part for incidental or consequential damages related to the failure of this product to function properly. Some states do not allow limitations on how long an implied warranty lasts, and some states do not allow the exclusion or limitation of incidental or consequential damages. So the above limitations or exclusions may not apply to you. This warranty gives you specific legal rights, and you may also have other rights that vary from state to state.

EFFECTIVE WARRANTY DATE:

This warranty begins on the effective date of delivery to the end user. For your convenience, keep the original bill of sale as evidence of the purchase date.

IMPORTANT -- WARRANTY REGISTRATION:

Please fill out and mail your warranty registration card. It is imperative that Runco knows how to reach you promptly if we should discover a safety problem or product update for which you must be notified.

CONTACT A RUNCO AUTHORIZED SERVICE CENTER TO OBTAIN SERVICE:

Repairs made under the terms of this Limited Warranty covering your Runco video product will be performed at the location of the product, during usual working hours, providing location of product is within normal operating distance from a Runco Authorized Service Center. In some instances it may be necessary for the product to be returned to the Runco factory for repairs. If, solely in Runco's judgment, location of product to be repaired is beyond normal operating distance of the closest Runco Authorized Service Center, or the repair requires the unit be returned to the Runco factory, it is the owner's responsibility to arrange for shipment of the product for repair. These arrangements must be made through the selling Runco Dealer. If this is not possible, contact Runco directly for a Return Authorization number and shipping instructions. Runco will return product transportation prepaid in the United States, unless no product defect is discovered. In that instance, shipping costs will be the responsibility of the owner.

COPYRIGHT AND TRADEMARKS:

© Copyright 2006 Runco International. This document contains proprietary information protected by copyright. All rights are reserved. No part of this manual may be reproduced by any mechanical, electronic or other means, in any form, without prior written permission of the manufacturer.

All trademarks and registered trademarks are the property of their respective owners.



Discount-Merchant.com (800) 281-8860
THE TRUSTED SOURCE FOR PROJECTOR LAMPS AND ACCESSORIES

ADDITIONAL INFORMATION:

To locate the name and address of the nearest Runco Authorized Service Center, or for additional information about this Limited Warranty, please call or write:

RUNCO INTERNATIONAL, INC.
Attn: Customer Service Department
2900 Faber Street
Union City, CA 94587
Ph: (510) 324-7777
Fax: (510) 324-9300
Toll Free: (800) 23-RUNCO

RUNCO VIDEO-PRODUCT INFORMATION
RETAIN THIS INFORMATION FOR YOUR RECORDS

Model Purchased

Date

Serial Number

Runco Authorized Dealer Name

Address

City

State/Province

Postal Code

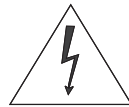
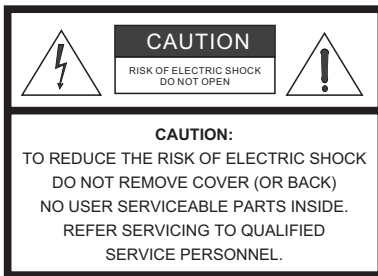
Fax



Discount-Merchant.com (800) 281-8860
THE TRUSTED SOURCE FOR PROJECTOR LAMPS AND ACCESSORIES

Safety Precautions

Thank you for your purchase of this quality Runco video projector! It has been designed to provide you with the quality of video that is expected in a home theater. For the best performance, please read this manual carefully as it is your guide through the menus and operation.



WARNING

This symbol is intended to alert the user to the presence of uninsulated “dangerous voltage” within the product’s enclosure that may be of sufficient magnitude to constitute a risk of electric shock.



This symbol is intended to alert the user to the presence of important operating and maintenance (servicing) instructions in the literature accompanying the appliance.

This equipment has been tested and found to comply with the limits for a Class B digital device, pursuant to Part 15 of the FCC Rules. These limits are designed to provide reasonable protection against harmful interference in a residential installation.

1. Read these instructions.
2. Keep these instructions.
3. Heed all warnings.
4. Do not use this equipment near water, outdoors or otherwise exposed to the elements.
5. Clean only with a dry cloth.
6. Do not block any ventilation openings.
7. Do not install near any heat sources such as radiators, heat registers, stoves, or other apparatus (including amplifiers) that produce heat.
8. Do not defeat the safety feature of the polarized or grounding type plug. A polarized type plug has two blades with one wider than the other. A grounding type plug has two blades and a third grounding prong. The third prong is provided for your safety. If the provided plug does not fit into your outlet, consult an electrician for the replacement of the obsolete outlet.
9. The 12V trigger only outputs DC 12V signal for triggering. Do not connect to any other power input or output. This could cause damage to this unit.
10. Only use accessories specified by Runco International.
11. Keep the packing material in case the equipment should ever need to be shipped.
12. Unplug this projector during lightning storms or when it will not be used for an extended period of time.
13. The lamp becomes extremely hot during operation. Allow the projector to cool down for approximately 45 minutes prior to removing the lamp assembly for replacement. Do not operate lamps beyond the rated lamp life. Excessive operation of lamps beyond rated life could cause them to explode in rare occasions.
14. Refer all servicing to qualified service personnel. Servicing is required when the projector has been damaged in any way, objects have fallen or spilled into the projector, the projector has been exposed to rain or moisture, does not operate normally, or has been dropped.

THE TRUSTED SOURCE FOR PROJECTOR LAMPS AND ACCESSORIES

Table of Contents

TWO YEAR LIMITED WARRANTY	iii
Safety Precautions	vi
1. Introduction	1
About This Manual	1
Target Audience	1
If You Have Comments About This Manual.....	1
Textual and Graphic Conventions	1
Using This Manual	2
Description, Features and Benefits	3
Key Features and Benefits	3
Parts List	4
2. Controls and Functions	5
VX-2 at a Glance	5
VX-2 Rear Panel	7
DHD Controller Front Panel	9
DHD Controller Rear Panel	11
Outputs	11
Inputs	11
VX-2 Remote Control	13
3. Installation	17
Remote Control	17
Notes on Batteries	17
Notes on Remote Control Operation.....	17
Quick Setup	18
Installation Considerations	19
Installation Type.....	19
Ambient Light	19
Throw Distance.....	20
Vertical and Horizontal Position.....	22
Vertical and Horizontal Lens Shift.....	22
Folded Optics	25
Other Considerations.....	25



Discount-Merchants.com (800) 281-8860
 THE TRUSTED SOURCE FOR PROJECTOR LAMPS AND ACCESSORIES

Installing the Optional CineWide Lens	25
Mounting the VX-2	26
Floor Mounting.....	26
Ceiling Mounting	26
Adjusting the Projection Angle	26
Connections to the VX-2 and DHD Controller	27
Connector Panel Access.....	27
Connecting the DHD Controller to the VX-2	27
Connecting Source Components to the DHD Controller	28
RS-232 Controller Connection	32
Connecting 12-Volt Trigger Outputs to External Theater Components	32
Connecting to AC Power	33
4. Operation	35
Turning on the Power	35
Adjusting the Picture Orientation	35
Lens Adjustments	36
Focus	36
Zoom.....	36
Vertical and Horizontal Lens Shift.....	36
Using the On-Screen Menus	37
Main Menu.....	39
Input Source.....	39
Aspect Ratio	39
Picture	41
Input Position.....	45
ISF Presets	46
Information	46
Calibration	47
Service	49
5. Maintenance and Troubleshooting	53
Lamp Replacement	53
Troubleshooting Tips	54
6. Serial Communications	55
RS-232 Connection and Port Configuration	55
Serial Command Syntax	55



Discount-Merchant.com (800) 281-8860

THE TRUSTED SOURCE FOR PROJECTOR LAMPS AND ACCESSORIES

7. Specifications	61
VX-2 Specifications	61
DHD Controller Specifications	63
VX-2c Dimensions	64
VX-2dc Dimensions	65
APPENDIX A. VX-2 Color Gamut Adjustment	A-1
Required Hardware and Software	A-2
Equipment Setup	A-2
Adjusting the Gamut	A-2



Discount-Merchant.com (800) 281-8860
THE TRUSTED SOURCE FOR PROJECTOR LAMPS AND ACCESSORIES

Notes:



Discount-Merchant.com (800) 281-8860
THE TRUSTED SOURCE FOR PROJECTOR LAMPS AND ACCESSORIES

List of Figures

2-1. VX-2c Front/Bottom/Side View.....	5
2-2. VX-2dc Front/Bottom/Side/Top View	6
2-3. VX-2 Rear Panel.....	7
2-4. DHD Controller Front Panel	9
2-5. DHD Controller Rear Panel	11
2-6. VX-2 Remote Control	13
3-1. Estimating Throw Distance	20
3-2. Projector Placement	22
3-3. Vertical Lens Shift.....	22
3-4. Horizontal Lens Shift.....	23
3-5. Folded Optics.....	25
3-6. Connecting the VX-2 to the DHD Controller.....	27
3-7. DVI Source Connections	28
3-8. Digital (DTV) RGB or Component Video Connections	29
3-9. Analog RGB Connections.....	30
3-10. Composite, S-Video and Component Video Connections.....	31
3-11. RS-232 Control System Connection.....	32
3-12. Connecting 12-Volt Trigger Outputs	32
4-1. VX-2dc -- Vertical and Horizontal Lens Shift Adjustments	36
4-2. DHD Controller OSD Menu Structure for VX-2	38
4-3. Typical PLUGE Pattern for Adjusting Brightness	42
4-4. Typical Gray Bar Pattern for Adjusting Contrast	43
4-5. Typical Color Bar Pattern for Adjusting Color Saturation and Tint.....	43
4-6. Typical Test Pattern for Adjusting Sharpness.....	45
7-1. VX-2c Dimensions	64
7-2. VX-2dc Dimensions	65
A-1. CIE 1931 Chromaticity Diagram	A-1



Discount-Merchant.com (800) 281-8860
THE TRUSTED SOURCE FOR PROJECTOR LAMPS AND ACCESSORIES

Notes:



Discount-Merchant.com (800) 281-8860
THE TRUSTED SOURCE FOR PROJECTOR LAMPS AND ACCESSORIES

1. Introduction

This Owner's Manual describes how to install, set up and operate the Runco VX-2c or VX-2dc DLP Projector and DHD Controller. It describes the features and functions available with DHD Controller Software version 2.0 and later.

Throughout this manual, the Runco VX-2c or VX-2dc DLP Projector and DHD Controller are referred to collectively as the "VX-2." The information in this manual applies to both projectors except where otherwise indicated.

Runco has prepared this manual to help home theater installers and end users get the most out of the VX-2.

Runco has made every effort to ensure that this manual is accurate as of the date it was printed. However, because of ongoing product improvements and customer feedback, it may require updating from time to time. You can always find the latest version of this and other Runco product manuals on-line, at www.runco.com.

Runco welcomes your comments about this manual. Send them to techpub@runco.com.

Text Conventions: The following conventions are used in this manual, in order to clarify the information and instructions provided:

- Remote and built-in keypad button identifiers are set in upper-case bold type; for example, "Press **EXIT** to return to the previous menu."
- All keys with functional names are initial-capped, set in bold type and enclosed in angle brackets. These keys are the following: **<Enter>**, **<Spacebar>**, **<Control>**, **<Esc>** and **<Tab>**.
- **<Enter>** indicates that you may press either the RETURN or ENTER key on your keyboard if it has both keys.
- Computer input (commands you type) and output (responses that appear on-screen) is shown in monospace (fixed-width) type; for example: "To change the aspect ratio to Letterbox, type LETTERBOX **<Enter>**."

In addition to these conventions, underlining, boldface and/or italics are occasionally used to highlight important information, as in this example:

*A carriage return **must** be used after each command or string.*



Discount-Merchant.com (800) 281-8860
THE TRUSTED SOURCE FOR PROJECTOR LAMPS AND ACCESSORIES

1.1 About This Manual

◀ **Target Audience**

◀ **If You Have Comments About This Manual...**

◀ **Textual and Graphic Conventions**

Graphic Conventions: These symbols appear in numerous places throughout the manual, to emphasize points that you must keep in mind to avoid problems with your equipment or injury:



Tip

TIPS highlight time-saving short cuts and helpful guidelines for using certain features.



Note

NOTES emphasize text with unusual importance or special significance. They also provide supplemental information.



Caution

CAUTIONS alert users that a given action or omitted action can degrade performance or cause a malfunction.



WARNING

WARNINGS appear when a given action or omitted action can result in damage to the equipment, or possible non-fatal injury to the user.



DANGER!

DANGER appears when a given action can cause severe injury or death.

1.2 Using This Manual

Use the following table to locate the specific information you need in this manual.

If you need...	... Turn to page:
Information about obtaining service	iv
General information about the VX-2c or VX-2dc DLP Projector and DHD Controller	3
Installation instructions	17
First-time configuration instructions	35
Advanced configuration instructions	47
Troubleshooting tips	54
Product specifications	61



Discount-Merchant.com (800) 281-8860
THE TRUSTED SOURCE FOR PROJECTOR LAMPS AND ACCESSORIES

Runco steps into the future once again with the Video Xtreme™ VX-2 Digital Light Processing (DLP™) Projector, one of the first DLP projectors to offer a 16:9 native resolution, three-chip system for home theater.

The VX-2 optical light engine utilizes three, 16:9 SuperOnyx™ Digital Micromirror Device™ (DMD™) chips featuring 1280 x 720, high-definition resolution and 12-degree mirror tilt for unsurpassed black level performance. Unlike previous, single-chip DLP implementations, no color wheel is used. This reduces mechanical complexity and compromises to color spectrum purity. The impressive brightness inherent in three-chip systems is further bolstered by the improved contrast capabilities of the VX-2 light engine design, offering the best of both worlds.

The VX-2 comes with an external, all-digital signal processor/controller featuring advanced Vivix II™ video processing, superb scaling and aspect ratio control. Runco's exclusive LiveLink™ DVI cable system circuitry is integrated into the projector to preserve HD signal quality over long runs. The VX-2 is enhanced further by significant horizontal and vertical lens shift capability for maximum installation flexibility.

The VX-2c produces an impressive 2500 ANSI lumens of light output (CSMS™ light output of 52.1 ft-Lamberts). The VX-2dc produces 2800 ANSI lumens of light output (CSMS light output of 57.6 ft-Lamberts).

The VX-2's 16:9 native aspect ratio DMD array makes it ideal for widescreen viewing, while its 3-chip, 1280 x 720 native resolution produces crisp, crystal clear high-definition images with richly saturated colors, deep black levels and natural, highly refined detail.

This advanced design provides pure digital connections from input to light engine for absolutely stellar pictures. In addition, Runco's multiple aspect ratio control includes its unique VirtualWide™ mode for viewing standard video formats in widescreen without loss of image quality.

For uncompromising widescreen reproduction of movies originally filmed in the "scope" (2.35:1) format, the VX-2 can be equipped with Runco's CineWide™ technology, a combination of software, electronics and high-quality anamorphic optics. CineWide maintains constant vertical height on the screen just as in a movie theater. When a viewer transitions from 1.78:1 (16:9) program material to 2.35:1, the image simply gets wider while full height is maintained. Also available with the VX-2 is CineWide with AutoScope™, an enhanced, remote-controlled motorized version of CineWide.

Discrete IR and RS-232 control make custom installation seamless, while discrete source and aspect ratio selection accommodate any automation control system.

The VX-2 offers these key features and benefits:

- Native Resolution: 1280 x 720 (16:9 Native Aspect Ratio)
- Three-chip Digital Light Processing (DLP™) system
- Two DVI Inputs with High-bandwidth Digital Content Protection (HDCP)
- HDTV Compatible
- CinOptx™ Proteus (VX-2c) or Telesto (VX-2dc) lens options for stunning sharpness and throw distance flexibility

1.3 Description, Features and Benefits

◀ Key Features and Benefits

Parts List ➤ Your VX-2 is shipped with the following items. If any items are missing or damaged, please contact your Runco dealer or Runco Customer Service at (800) 23-RUNCO.

- VX-2c or VX-2dc DLP Projector and DHD Controller
- Remote Control Unit and two (2), AAA-size batteries
- AC Power Cords (2)
- DVI Cable, 16.4 feet (5.0 meters)
- Rack-mount hardware for the DHD Controller
- 3/16" Hex Wrench (for lens adjustments)
- Warranty information and registration card
- Runco VX-2c/VX-2dc Owner's Operating Manual (this document)

Optional Accessories:

- CineWide™ technology (fixed, secondary anamorphic lens)
- CineWide™ with AutoScope™ system (secondary anamorphic lens and motorized mount)
- Ceiling mount kit
- DVI extension cables, available in lengths up to 20 meters (65.6 feet)



Discount-Merchant.com (800) 281-8860
THE TRUSTED SOURCE FOR PROJECTOR LAMPS AND ACCESSORIES

2. Controls and Functions

Figure 2-1 and Figure 2-2 show the key VX-2 components.

2.1 VX-2 at a Glance

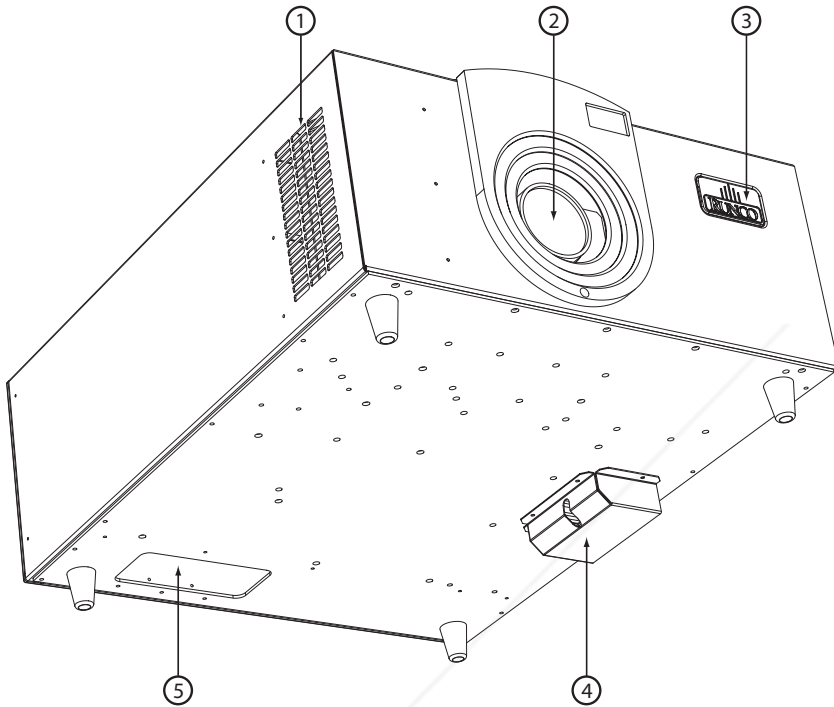


Figure 2-1. VX-2c Front/Bottom/Side View

1. **INTAKE VENT**
2. **LENS**
3. **RUNCO LOGO**
The logo can be rotated to match the projector orientation: inverted (ceiling-mounted) or upright. To rotate the logo, grip it at the sides, pull it away from the projector and rotate it 180 degrees.
4. **EXHAUST VENT**

CABLE OPENING

Pass cables through this opening.

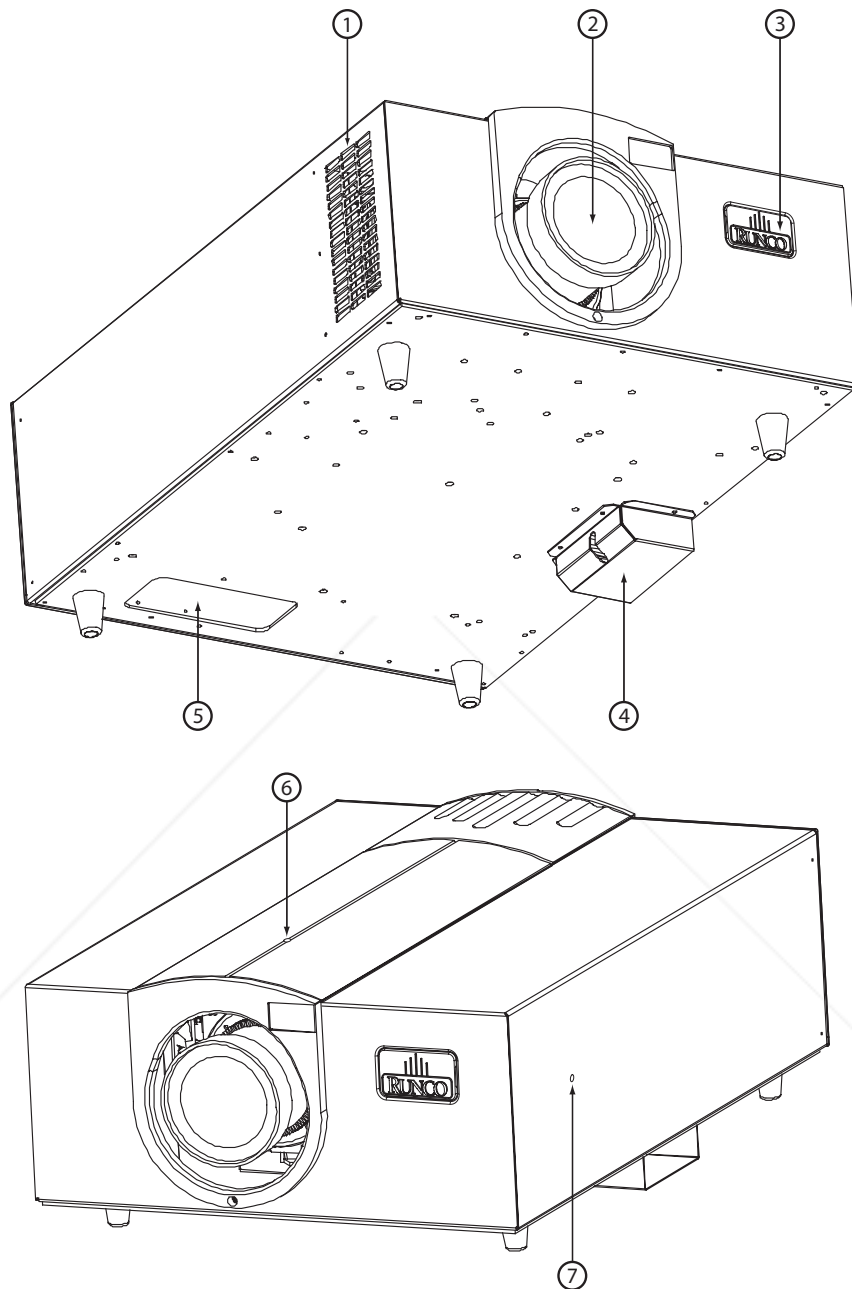


Figure 2-2. VX-2dc Front/Bottom/Side/Top View

1. **INTAKE VENT**

2. **LENS**

3. **RUNCO LOGO**

The logo can be rotated to match the projector orientation: inverted (ceiling-mounted) or upright. To rotate the logo, grip it at the sides, pull it away from the projector and rotate it 180 degrees.

4. **EXHAUST VENT**

5. **CABLE OPENING**
Pass cables through this opening.
6. **VERTICAL LENS SHIFT ADJUSTMENT**
7. **HORIZONTAL LENS SHIFT ADJUSTMENT**

Figure 2-3 shows the VX-2 rear panel.

2.2 VX-2 Rear Panel

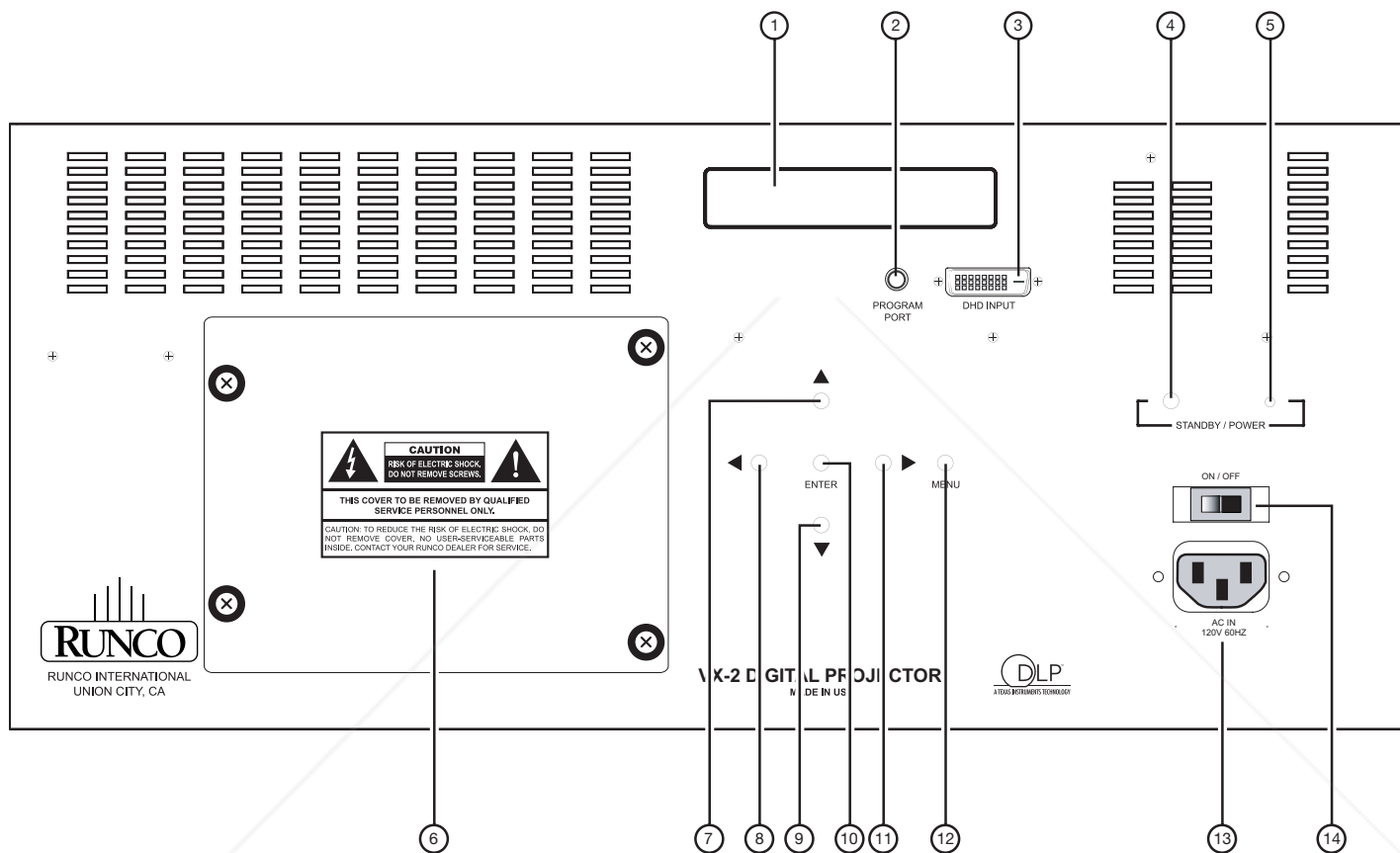


Figure 2-3. VX-2 Rear Panel

1. **VACUUM FLUORESCENT DISPLAY**
Displays currently-selected menu. If no menu is selected, "Runco VX-2" appears here.
2. **PROGRAM PORT**
For service use only.
3. **DHD INPUT**
An HDCP-compliant digital video input for connecting the DVI output from the DHD Controller.
4. **POWER BUTTON**
Press once to turn on the VX-2. Press it again to put it into Standby mode. For a discrete on or off command, you can use the direct access buttons on the remote control.
5. **POWER/STANDBY LED**

6. **LAMP COVER**
Remove this cover to access the lamp compartment.
7. **UP BUTTON**
Used to move the menu cursor up in the VX-2 menu system.
8. **LEFT BUTTON**
Used to move the menu cursor left in the VX-2 menu system.
9. **DOWN BUTTON**
Used to move the menu cursor down in the VX-2 menu system.
10. **ENTER BUTTON**
When an item is highlighted on the On-Screen Display, the **ENTER** button selects the item.
11. **RIGHT BUTTON**
Used to move the menu cursor right in the VX-2 menu system.
12. **MENU BUTTON**
Pressing the **MENU** button brings up the main VX-2 menu. Also, if you are in an adjustment mode or function, pressing **MENU** brings the menu back one level.



Note

The VX-2 has its own internal menu system, separate from that of the DHD Controller. However, it is intended for use by trained service personnel only.

13. **POWER INPUT (100 to 240 VAC)**
Connect the VX-2 to power here.
14. **MAIN POWER SWITCH**
Disconnects or applies power to the VX-2.

Figure 2-4 shows the controls and indicators on the DHD Controller front panel; the paragraphs that follow describe them.

2.3 DHD Controller Front Panel

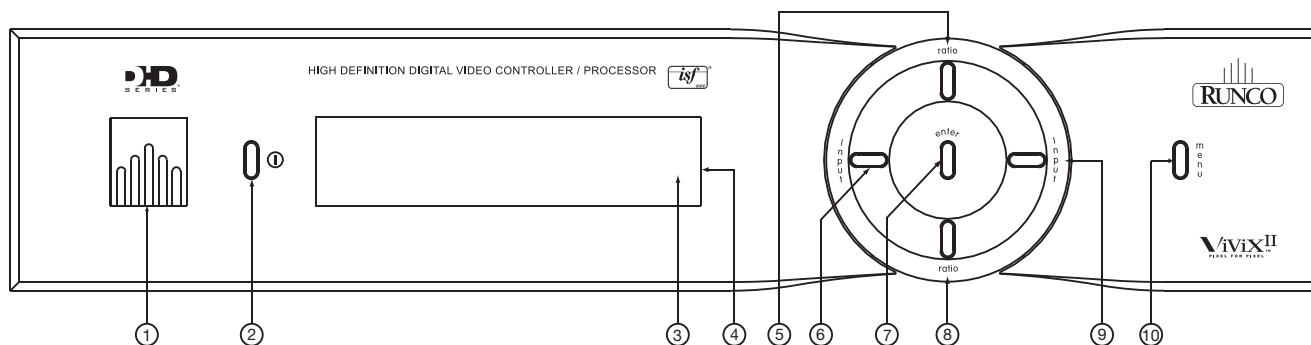


Figure 2-4. DHD Controller Front Panel

1. **RUNCO ICON**
Lights red to indicate that the DHD Controller is in standby mode; lights blue to indicate that the unit is on.
2. **POWER BUTTON**
Press once to toggle from standby mode to on mode. Press it again to return to standby mode. For a discrete on or off command, you can use the direct access buttons on the remote control.
3. **IR SENSOR**
Receives IR commands from the remote.
4. **VACUUM FLUORESCENT DISPLAY**
Can be used instead of the On-Screen Display (OSD). Displays currently-selected menu or -- if no menu is selected -- the current source, signal format (NTSC or PAL), input resolution and aspect ratio.
5. **UP BUTTON**
Use to direct select aspect ratios or move the menu cursor up in the On-Screen Display. When no menus are present on-screen, the **UP** button toggles you through aspect ratios in the following order:
Anamorphic - Standard (4:3) - Letterbox - VirtualWide - Cinema - Virtualwide 2.35

(Virtualwide 2.35 is available only on CineWide-equipped projectors. For more information about aspect ratios, refer to Table 4-1.)

LEFT BUTTON

Used to direct select inputs or move the menu cursor left in the On Screen Display. When no menu is present on-screen, the **LEFT** button toggles you through the different sources, in this order:

DVI 2 - DVI 1 - HD/RGB2 - HD/RGB1 - Component SD - S-Video 2 - S-Video 1 - Composite

7. **ENTER BUTTON**

When an item is highlighted on the On-Screen Display, the **ENTER** button selects the item.

8. **DOWN BUTTON**

Use to direct select aspect ratios or move the menu cursor down in the On-Screen Display. When no menu is present on-screen, this button toggles you through the different aspect ratios, in this order:

Virtualwide 2.35 - Cinema - VirtualWide - Letterbox - Standard (4:3) - Anamorphic

9. **RIGHT BUTTON**

Used to direct select inputs or move the menu cursor right in the On Screen Display. When no menus are present on-screen, the **RIGHT** button toggles you through the different sources, in this order:

Composite - S-Video 1 - S-Video 2 - Component SD - HD/RGB 1 - HD/RGB 2 - DVI 1 - DVI 2

10. **MENU BUTTON**

Pressing the **MENU** button brings up the main menu. Also, if you are in an adjustment mode or function, pressing **MENU** brings the menu back one level.



Discount-Merchant.com (800) 281-8860
THE TRUSTED SOURCE FOR PROJECTOR LAMPS AND ACCESSORIES

Figure 2-5 shows the rear connector panel on the DHD Controller.

2.4 DHD Controller Rear Panel

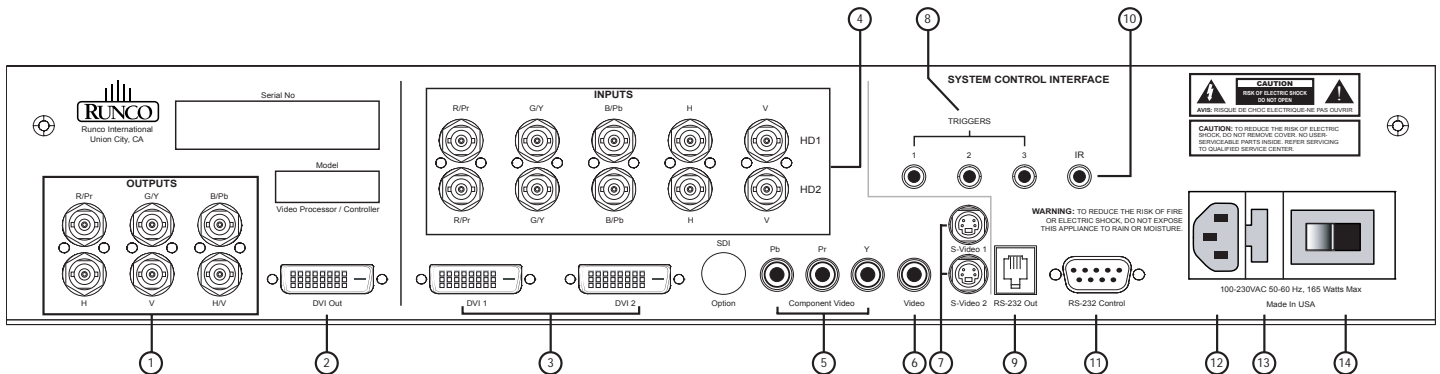


Figure 2-5. DHD Controller Rear Panel

1. ANALOG OUTPUTS (RGBHV)

Not used with the VX-2.

2. DVI OUT

Connect this to the DHD Input on the VX-2.

3. DVI 1 / DVI 2 (Digital)

Two, HDCP-compliant digital video inputs for connecting a DVD player or HD tuner with a DVI or HDMI output.

4. HD1 / HD2 (Analog BNC connectors)

Five, BNC connectors for connecting either RGB or component high-definition television signals. The VX-2 automatically detects the signal format: RGB(HV) or YPrPb, 480p, 720p, 480i, 576i or 1080i.

5. COMPONENT VIDEO (RCA connectors)

Standard Definition (480i/576i) Component (YPrPb) input. This is the input for component video from sources such as DVD players.

← **Outputs**

← **Inputs**



Tip

For best results, do not run your DVD player in progressive mode.



Discount-Merchant.com (800) 281-8860
THE TRUSTED SOURCE FOR PROJECTOR LAMPS AND ACCESSORIES

6. **COMPOSITE VIDEO INPUT**
Standard composite video input for connecting a VCR, laser disc player or other composite video source.
7. **S-VIDEO 1 / S-VIDEO 2**
Two, standard S-Video inputs for connecting a DVD player, satellite receiver or Super VHS (S-VHS) VCR.
8. **12-VOLT (750 mA) TRIGGER OUTPUTS**
Connection for up to three (3), 12-volt trigger-controlled devices. These can be retractable screens, screen masks or the Runco CineWide with AutoScope system.
9. **RS-232 OUTPUT**
For future use.
10. **IR**
Wired input from an external remote control or infrared receiver. It is a 3.5-mm, mini phono jack, wired as follows:
Ring = +5V
Tip = IR Input
Sleeve = Ground



Note

When an external remote control or infrared receiver is connected to the wired IR input, the IR sensor on the front of the DHD is disabled.

11. **RS-232 CONTROL PORT**
A female, 9-pin D-sub connector for interfacing with a PC or home theater automation/control system.
12. **POWER INPUT (100 to 240 VAC)**
Connect the DHD Controller to power here.
13. **MAIN AC FUSE**
This is the main AC input fuse (5mm x 20mm, 500 mA, 250V slow-blow).
14. **MAIN POWER SWITCH**
Disconnects or applies power to the DHD Controller.

Figure 2-6 shows the VX-2 remote control, and the paragraphs that follow describe its functionality.

2.5 VX-2 Remote Control

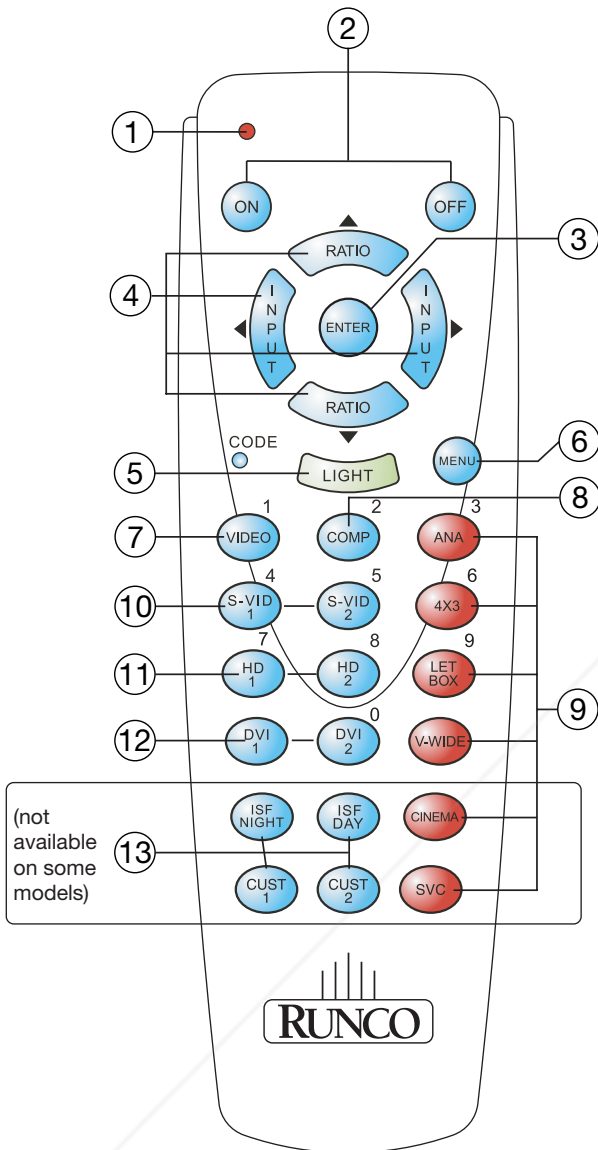


Figure 2-6. VX-2 Remote Control



Discount-Merchant.com (800) 281-8860
THE TRUSTED SOURCE FOR PROJECTOR LAMPS AND ACCESSORIES

1. **IR OUTPUT INDICATOR**
Lights when a button is pressed to indicate that an IR signal is being transmitted.
2. **ON / OFF**
Press to turn the projector on or off.
3. **ENTER**
Press to select a highlighted menu item or confirm a changed setting.
4. **Cursor Buttons (▲, ◀, ▼, ▶)**
Use these buttons to select items or settings, adjust settings or switch display patterns.

When no menus are present on-screen, the **UP** and **DOWN** buttons toggle through the available aspect ratios, in this order:

UP Button = Anamorphic - Standard (4:3) - Letterbox - VirtualWide - Cinema - Virtualwide 2.35

DOWN Button = Virtualwide 2.35 - Cinema - VirtualWide - Letterbox - Standard (4:3) - Anamorphic



Note

Virtualwide 2.35 is available only on CineWide-equipped projectors. For more information about aspect ratios, refer to Table 4-1.

Likewise, the **LEFT** and **RIGHT** buttons toggle through the different source inputs, in this order:

LEFT Button = DVI 2 - DVI 1 - HD/RGB2 - HD/RGB 1 - Component SD - S-Video 2 - S-Video 1 - Composite

RIGHT Button = Composite - S-Video 1 - S-Video 2 - Component SD - HD/RGB 1 - HD/RGB 2 - DVI 1 - DVI 2

5. **LIGHT**
Press to illuminate the buttons. (Not available on all models.)
6. **MENU**
Press this button to access the OSD controls, or to exit the current menu and return to the previous one.
7. **VIDEO (1)**
Press to select Composite video input as the source or to enter the numeric character "1."
8. **COMP (Component) (2)**
Press to select Component SD (480i/576i) video input as the source or to enter the numeric character "2."

9. Aspect Ratio Selection Buttons

Use the red buttons to select an aspect ratio directly or to enter numeric characters, as follows:

ANA (Anamorphic) (3)

For viewing 16:9 DVDs or HDTV programs in their native aspect ratio.

4X3 (Standard 4:3) (6)

Scales the input signal to fit 4:3 display mode in the center of the screen.

LETBOX (Letterbox) (9)

For viewing LaserDisc movies or non-anamorphic DVDs on a 4:3 screen.

V-WIDE (VirtualWide)

Enlarges a 4:3 image horizontally in a NON-linear fashion to fit 16:9 full screen display.

CINEMA

For viewing 2.35:1 source material on a 1.78:1 (16:9) screen. The upper and lower portions are masked.

SVC (CineWide-equipped projectors only)

Selects the VirtualWide 2.35 aspect ratio, which anamorphically compresses a 2.35:1 image to fill a 16:9 image area. The anamorphic lens then "stretches" the image back to 2.35:1.

10. S-VID 1 (4) / S-VID 2 (5) (S-Video)

Press to select an S-Video input or to enter the numeric character "4" or "5."

11. HD 1 (7) / HD 2 (8)

Press to select a HD (RGBHV or YPbPr component) input or to enter the numeric character "7" or "8."

12. DVI 1 / DVI 2 (0)

Press to select a Digital Video input. Press **DVI2** to enter the numeric character "0."

13. Memory Preset Buttons:

ISF NT (Night)

Press to recall settings for the current input from the "ISF Night" memory preset.

ISF DAY

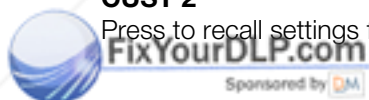
Press to recall settings for the current input from the "ISF Day" memory preset.

CUST 1

Press to recall settings for the current input from the "Custom 1" memory preset.

CUST 2

Press to recall settings for the current input from the "Custom 2" memory preset.



Discount-Merchant.com (800) 281-8860
THE TRUSTED SOURCE FOR PROJECTOR LAMPS AND ACCESSORIES

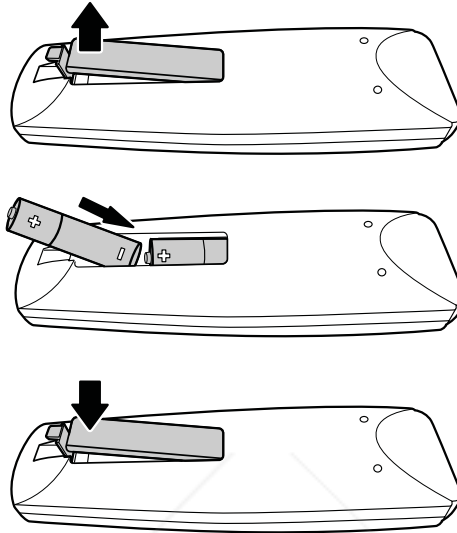
Notes:



Discount-Merchant.com (800) 281-8860
THE TRUSTED SOURCE FOR PROJECTOR LAMPS AND ACCESSORIES

3. Installation

To install batteries in the remote control, press up on the battery cover retainer clip and lift off the cover. Install the two AAA batteries with the correct polarity and then replace the cover.



3.1 Remote Control

- Make sure that the battery polarities are correct when installing the batteries.
- Do not mix an old battery with a new one or different types of batteries.
- If you will not use the remote control for a long time, remove the batteries to avoid damage from battery leakage.
- Make sure that there is nothing obstructing the infrared beam between the remote control and the IR receiver on the projector.
- If the effective range of the remote control decreases, or it stops working, replace the batteries with new ones.
- The remote control may fail to operate if the infrared remote sensor is exposed to bright sunlight or fluorescent lighting.
- Ambient conditions may possibly impede the operation of the remote control. If this happens, point the remote control at the projector, and repeat the operation.
- The Ø icon appears on the screen when a button for an unavailable function is pressed.

◀ Notes on Batteries

◀ Notes on Remote Control Operation

3.2 Quick Setup

Table 3-1 gives a quick overview of the VX-2 installation process. The sections following this one provide detailed instructions.



Note

Installation should be performed by a qualified custom video installation specialist.

Table 3-1. Installation Overview

Step	Procedure	For Details, Refer to page...
1	Choose a location for the projector	19
2	Install CineWide (secondary anamorphic) lens (optional)	25
3	Connect the DHD Controller to the projector	27
4	Connect signal sources to the DHD Controller	28
5	Connect external controller to RS-232 port (optional)	32
6	Connect other home theater components to 12-volt trigger outputs (optional)	32
7	Apply power to the projector	33, 35
8	For rear-screen and/or ceiling-mount installations, select the proper picture orientation	35
9	Lens adjustments: projected image size (zoom), position (shift) and focus	22, 36
10	Projector calibration: adjust the following for each input , starting with Component SD; save settings when finished: <ul style="list-style-type: none"> • Aspect ratio • Brightness • Contrast • Color level • Tint • Input position 	39 through 46



Discount-Merchant.com (800) 281-8860
THE TRUSTED SOURCE FOR PROJECTOR LAMPS AND ACCESSORIES

Proper installation of your projector will ensure the quality of your display. Whether you are installing a projector temporarily or permanently, you should take the following into account to ensure your projector performs optimally.

Choose the installation type that best suits your needs: front or rear screen, floor mount or inverted mount. Table 3-2 compares these various installation methods.

Table 3-2. Projector Installation Options

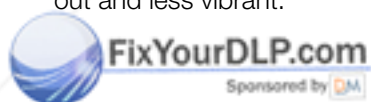
Advantages	Considerations
Front Screen, Floor Mount Installation	
<ul style="list-style-type: none"> • Easy to set up • Can be moved or changed quickly • Easy to access 	<ul style="list-style-type: none"> • Shares floor space with audience
Front Screen, Inverted Mount (ceiling) Installation	
<ul style="list-style-type: none"> • Does not take up audience space • Projector is unobtrusive • Projector cannot be accidentally moved 	<ul style="list-style-type: none"> • Installation is more permanent • Projector access is more difficult
Rear Screen, Floor Mount Installation	
<ul style="list-style-type: none"> • Projector is completely hidden • Projector is easily accessed • Usually good ambient light rejection 	<ul style="list-style-type: none"> • Requires separate room • Installation cost is usually higher
Rear Screen, Inverted Mount (ceiling) Installation	
<ul style="list-style-type: none"> • Projector is completely hidden • Usually good ambient light rejection 	<ul style="list-style-type: none"> • Requires separate room • Installation cost is usually higher
Rear Screen, Floor Mount with Mirror	
<ul style="list-style-type: none"> • Projector is completely hidden • Usually good ambient light rejection • Requires less space behind screen than other rear screen installations 	<ul style="list-style-type: none"> • Requires separate room • Installation cost is usually higher

In general, minimize or eliminate light sources directed at the screen. Contrast ratio in your images will be noticeably reduced if light directly strikes the screen, such as when a shaft of light from a window or floodlight falls on the image. Images may then appear washed out and less vibrant.

3.3 Installation Considerations

◀ Installation Type

◀ Ambient Light



Discount-Merchant.com (800) 281-8860
THE TRUSTED SOURCE FOR PROJECTOR LAMPS AND ACCESSORIES

Throw Distance ➤ Throw distance is the distance measured from the front of the projector to the screen. This is an important calculation in any projector installation as it determines whether or not you have enough room to install your projector with a desired screen size and if your image will be the right size for your screen.

You can quickly estimate the throw distance by taking the width of the screen and multiplying it by the lens throw ratio; see Figure 3-1. The result of this calculation tells you roughly how far back the projector should be positioned from the screen in order to project a focused image large enough to fill the screen.

Estimating Throw Distance

Throw Distance (TD) = Screen Width (w) x Lens Throw Ratio

VX-2c Throw Ratio: refer to Table 3-3
VX-2dc Throw Ratio: refer to Table 3-4

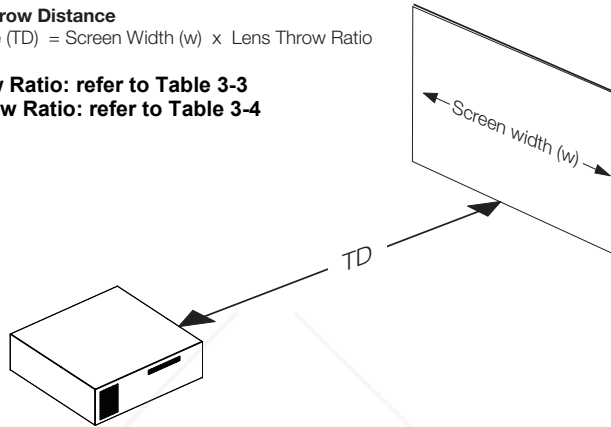


Figure 3-1. Estimating Throw Distance

Throw Distance Ranges - VX-2c: Table 3-3 lists the available lens options for the VX-2c and their associated throw ratios.

Table 3-3. VX-2c Lens Options and Throw Ratios

Lens Option (Note 2)	Throw Ratio (Throw Dist. ÷ Screen Width)	Throw Distance Range (in inches, with 100-inch Wide Screen)	
		Minimum	Maximum
Proteus A	0.64 (Fixed)	For rear-screen installations only. Contact Runco Technical Support for more information.	
Proteus B	1.22 - 1.44	122	144
Proteus C	1.45 - 1.76	145	176
Proteus D	1.82 - 2.39	182	239
Proteus D with CineWide	1.38 - 1.80	138	180
Proteus E	2.42 - 3.57	242	357
Proteus E with CineWide	1.84 - 2.70	184	270

Notes:

1. Throw distance does not affect image quality, provided these ranges are taken into account.
2. Only the Proteus D, E and F lenses can be used with the optional CineWide (secondary anamorphic) lens. Doing so affects the throw distances as shown here.



Discount-Merchant.com (800) 281-8860
 THE TRUSTED SOURCE FOR PROJECTOR LAMPS AND ACCESSORIES

Table 3-3. VX-2c Lens Options and Throw Ratios (continued)

Lens Option (Note 2)	Throw Ratio (Throw Dist. ÷ Screen Width)	Throw Distance Range (in inches, with 100-inch Wide Screen)	
		Minimum	Maximum
Proteus F	3.63 - 5.72	363	572
Proteus F with CineWide	2.75 - 4.33	275	433

Notes:

1. Throw distance does not affect image quality, provided these ranges are taken into account.
2. Only the Proteus D, E and F lenses can be used with the optional CineWide (secondary anamorphic) lens. Doing so affects the throw distances as shown here.

Throw Distance Ranges - VX-2dc: Table 3-4 lists the available lens options for the VX-2dc and their associated throw ratios.

Table 3-4. VX-2dc Lens Options and Throw Ratios

Lens Option (Note 2)	Throw Ratio (Throw Dist. ÷ Screen Width)	Throw Distance Range (in inches, with 100-inch Wide Screen)	
		Minimum	Maximum
Telesto A	0.80 (Fixed)	For rear-screen installations only. Contact Runco Technical Support for more information.	
Telesto B	1.64 - 1.97	164	197
Telesto C	2.02 - 2.70	202	270
Telesto C with CineWide	1.53 - 2.04	153	204
Telesto D	2.84 - 4.80	284	480
Telesto D with CineWide	2.15 - 3.63	215	363
Telesto E	4.92 - 7.90	492	790
Telesto E with CineWide	3.73 - 5.98	373	598

Notes:

1. Throw distance does not affect image quality, provided these ranges are taken into account.
2. Only the Telesto C, D and E lenses can be used with the optional CineWide (secondary anamorphic) lens. Doing so affects the throw distances as shown here.



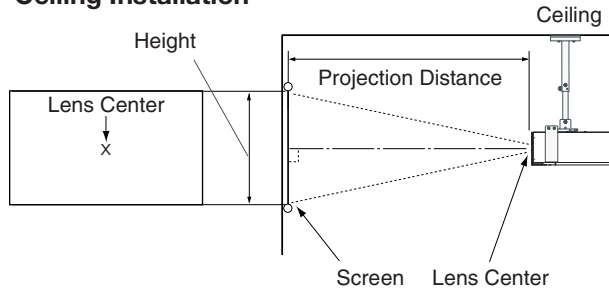
Discount-Merchant.com (800) 281-8860
THE TRUSTED SOURCE FOR PROJECTOR LAMPS AND ACCESSORIES

Vertical and Horizontal Position

Proper placement of the projector relative to the screen will yield a rectangular, perfectly-centered image that completely fills the screen.

Ideally, the projector should be positioned perpendicular to the screen and in such a way that the lens center and screen center are aligned with each other, as shown in Figure 3-2.

Ceiling Installation



Floor Installation

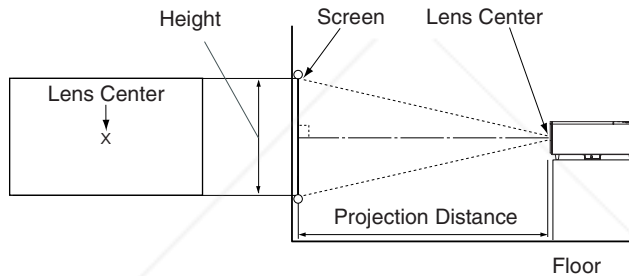
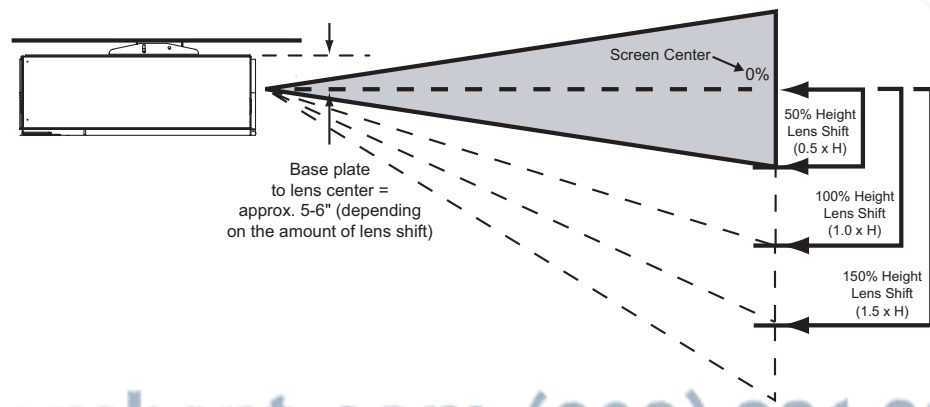


Figure 3-2. Projector Placement

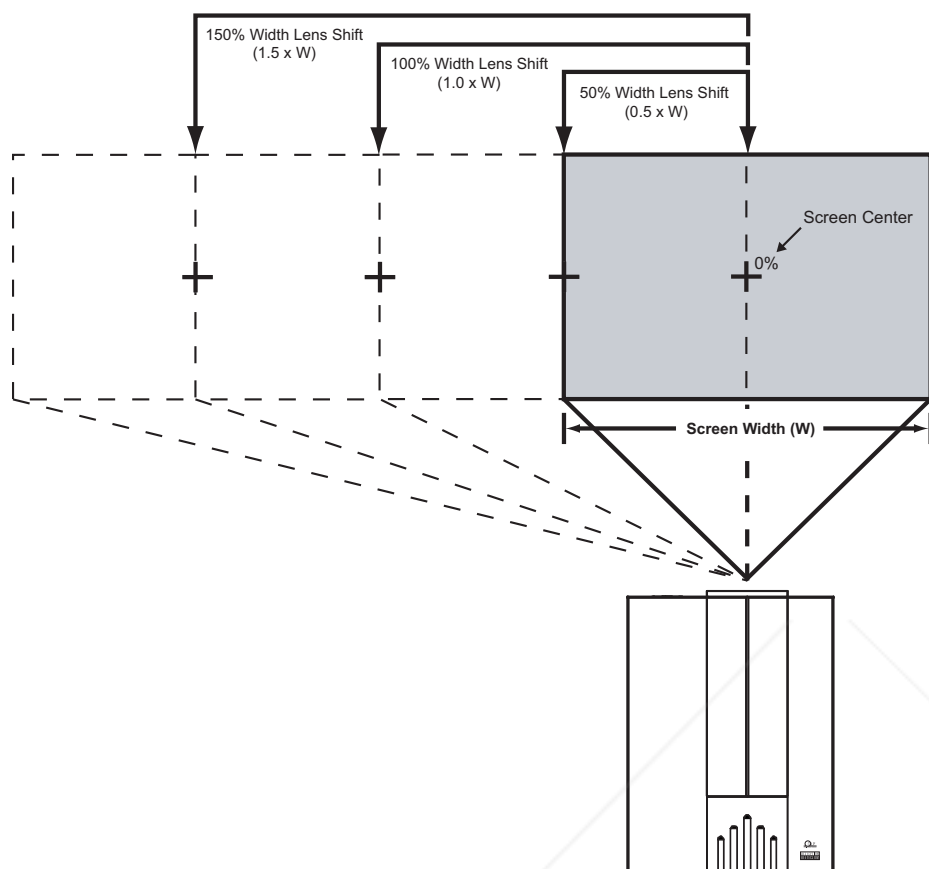
Vertical and Horizontal Lens Shift

If it is not possible to align the projector and screen as shown in Figure 3-2, you can use the lens shift controls to center the image on the screen. Lens shift is generally expressed as a percentage of the screen height or width, as shown in Figure 3-3 and Figure 3-4.



Note: This is a general example of lens shift. Lenses vary in their shift capabilities. No particular lens is used in this example.

Figure 3-3. Vertical Lens Shift



Note: This is a general example of lens shift. Lenses vary in their shift capabilities. No particular lens is used in this example.

Figure 3-4. Horizontal Lens Shift

Vertical Lens Shift - VX-2c: The VX-2c zoom lenses (Proteus B through F) provide up to 80% of downward vertical lens shift. For example, with a 96 x 54-inch (16:9) screen, you can shift the image up to 43.20 inches (1.10 meters) below the screen center. (Upward vertical lens shift is not possible. Vertical lens shift is not possible in either direction with the Proteus A lens.)

Horizontal Lens Shift - VX-2c: The VX-2c zoom lenses (Proteus B through F) allow up to 10% of horizontal lens shift in either direction (left or right). For example, with a 96 x 54-inch (16:9) screen, you can shift the image up to 9.60 inches (24.38 cm) left or right of the screen center. (Horizontal lens shift is not possible with the Proteus A lens.)



Discount-Merchant.com (800) 281-8860
THE TRUSTED SOURCE FOR PROJECTOR LAMPS AND ACCESSORIES

Vertical and Horizontal Lens Shift - VX-2dc: Table 3-5 lists the lens shift limits for each available VX-2dc lens, as percentages and absolute measurements with a 100 x 56 inch (1.78:1) screen.

Table 3-5. VX-2dc Vertical and Horizontal Lens Shift Limits

		Lens Option				
		Telesto A	Telesto B	Telesto C	Telesto D	Telesto E
Lens Shift Limits, as Percentages of Screen Height or Width (Notes 1 and 2)						
Vertical (Note 2)	Up	0%	25%	40%	35%	18%
	Down	0%	55%	90%	110%	110%
Horizontal (Note 2)	Left	0%	18%			
	Right	0%	18%			
Lens Shift Limits in Inches, with a 100-by-56 inch (1.78:1) Screen						
Vertical	Up	0	14	22.4	19.6	10.08
	Down	0	30.8	50.4	61.6	61.6
Horizontal	Left	0	18			
	Right	0	18			

Notes:

1. With no vertical or horizontal lens shift, the lens center and screen center are aligned with each other.
2. Vertical shift limits are percentages of the screen height. Horizontal shift limits are percentages of the screen width.
3. **Vertical lens shift figures apply to ceiling mount configurations.** For floor installations (where the projector is upright), reverse the up/down vertical offset percentages.



Discount-Merchant.com (800) 281-8860
THE TRUSTED SOURCE FOR PROJECTOR LAMPS AND ACCESSORIES

In rear screen applications where space behind the projector is limited, a mirror may be used to fold the optical path, as shown in Figure 3-5. The position of the projector and mirror must be accurately set. If you are considering this type of installation, contact your dealer for assistance.

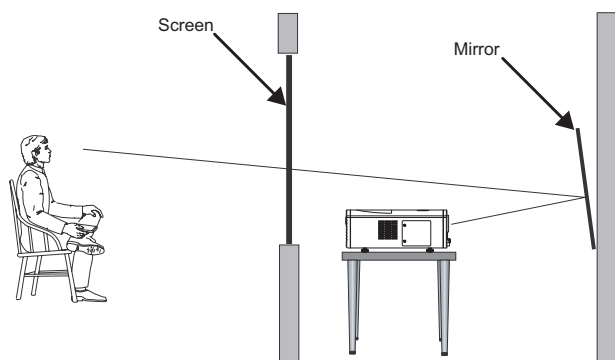


Figure 3-5. Folded Optics

Other considerations and tips that can help improve your installation:

- Keep the ambient temperature constant and below 35°C (95°F). Keep the projector away from heating and/or air conditioning vents. Changes in temperature may cause drifts in the projector circuitry, which may affect performance.
- Keep the projector away from devices that radiate electromagnetic energy such as motors and transformers. Common sources of these include slide projectors, speakers, power amplifiers and elevators.

If you are installing a VX-2 with the optional CineWide or CineWide with AutoScope system, install the secondary anamorphic lens in accordance with the instructions provided with the lens installation kit.

◀ **Folded Optics**

◀ **Other Considerations**

3.4 Installing the Optional CineWide Lens



Discount-Merchant.com (800) 281-8860
THE TRUSTED SOURCE FOR PROJECTOR LAMPS AND ACCESSORIES

3.5 Mounting the VX-2

There are several methods for mounting the projector. Depending on your chosen installation, one method may be more suitable than another.

Floor Mounting ➤ In typical front and rear screen installations, the projector can be mounted to a secure and level surface such as a table or cart. Carts are useful when moving a projector during a presentation or from site to site. If possible, lock the wheels when it's in position to prevent it from being moved during a presentation.

Ceiling Mounting ➤ The projector can also be inverted and suspended from the ceiling using a specially designed ceiling mount fixture. This type of mounting is recommended for fixed installations and for those that want the projector out of sight or have a limited space for projector and audience.

Adjusting the Projection Angle ➤ If the VX-2 is ceiling-mounted and the screen is significantly lower than the projector, you can tilt the projector at a slight angle by adjusting the ceiling mount.

If you do this, you may need to shift the image using the on-screen display (OSD) controls, to compensate. For detailed instructions, refer to **Using the On-Screen Menus** on page 37.



Note

Use only the Runco-approved ceiling mount kit designed for your projector.

Proceed as follows to connect the DHD Controller to the VX-2, your video sources, external controller(s) -- if present -- and AC power.

When connecting your equipment:

- Turn off all equipment before making any connections.
- Use the correct signal cables for each source.
- Ensure that the cables are securely connected. Tighten the thumbscrews on connectors that have them.

To access the connector panel, pull firmly on the cable access cover to open it.

The VX-2 is designed to receive only digital input signals directly from the companion DHD Controller/Processor. All signal sources should be connected to the appropriate inputs on the rear panel of the DHD. The signal from the DHD is then output to the VX-2 projector through a Runco proprietary DVI cable.



Note

You CANNOT connect a signal source with DVI output directly to the VX-2. It MUST be routed through the DHD Controller for proper operation.

Use the supplied cable to connect the DVI Output of the DHD Controller to the DHD Input of the VX-2; see Figure 3-6.

3.6 Connections to the VX-2 and DHD Controller

◀ Connector Panel Access

◀ Connecting the DHD Controller to the VX-2

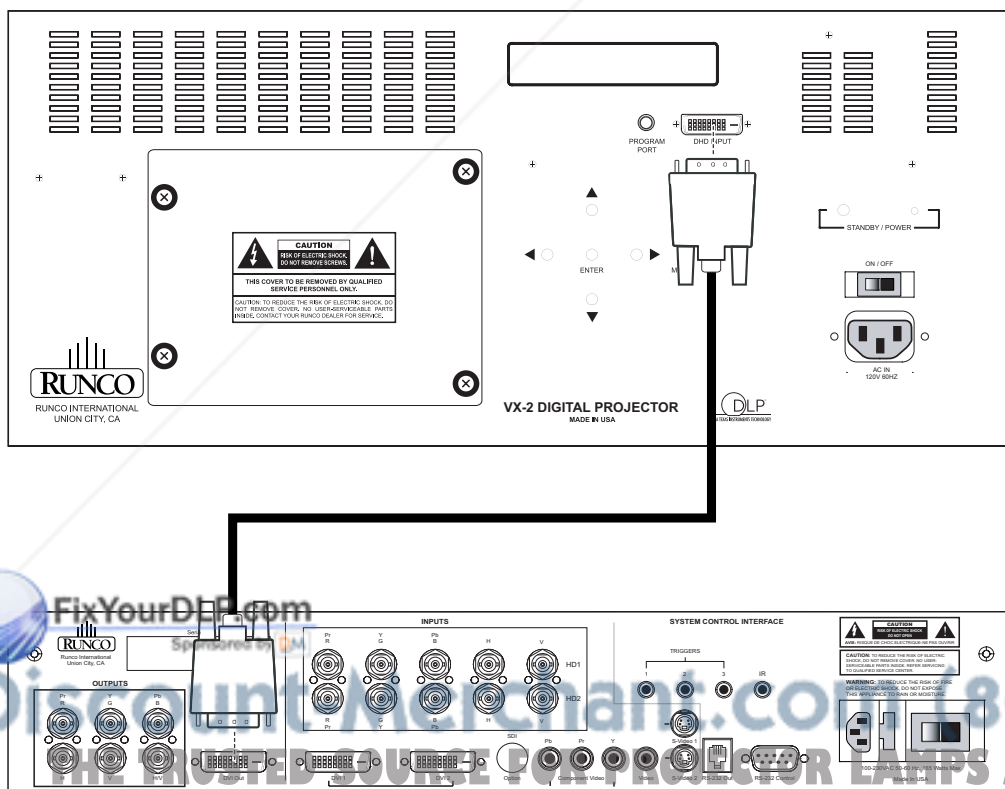


Figure 3-6. Connecting the VX-2 to the DHD Controller

Connecting Source Components to the DHD Controller

Connect your video sources to the DHD Controller as shown and described in the sections that follow.

DVI Connections: See Figure 3-7.



Tip

Use the DVI inputs whenever possible. This ensures the highest video quality because the signal is carried in the digital domain throughout the entire signal path, from source component output into the projector.

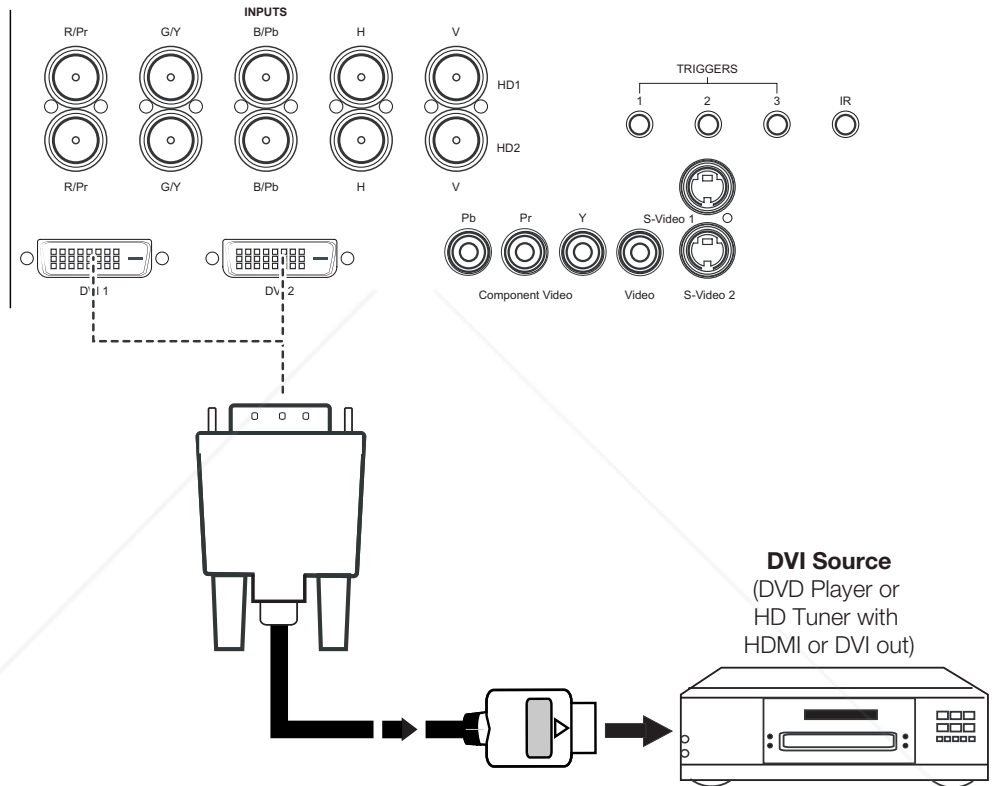
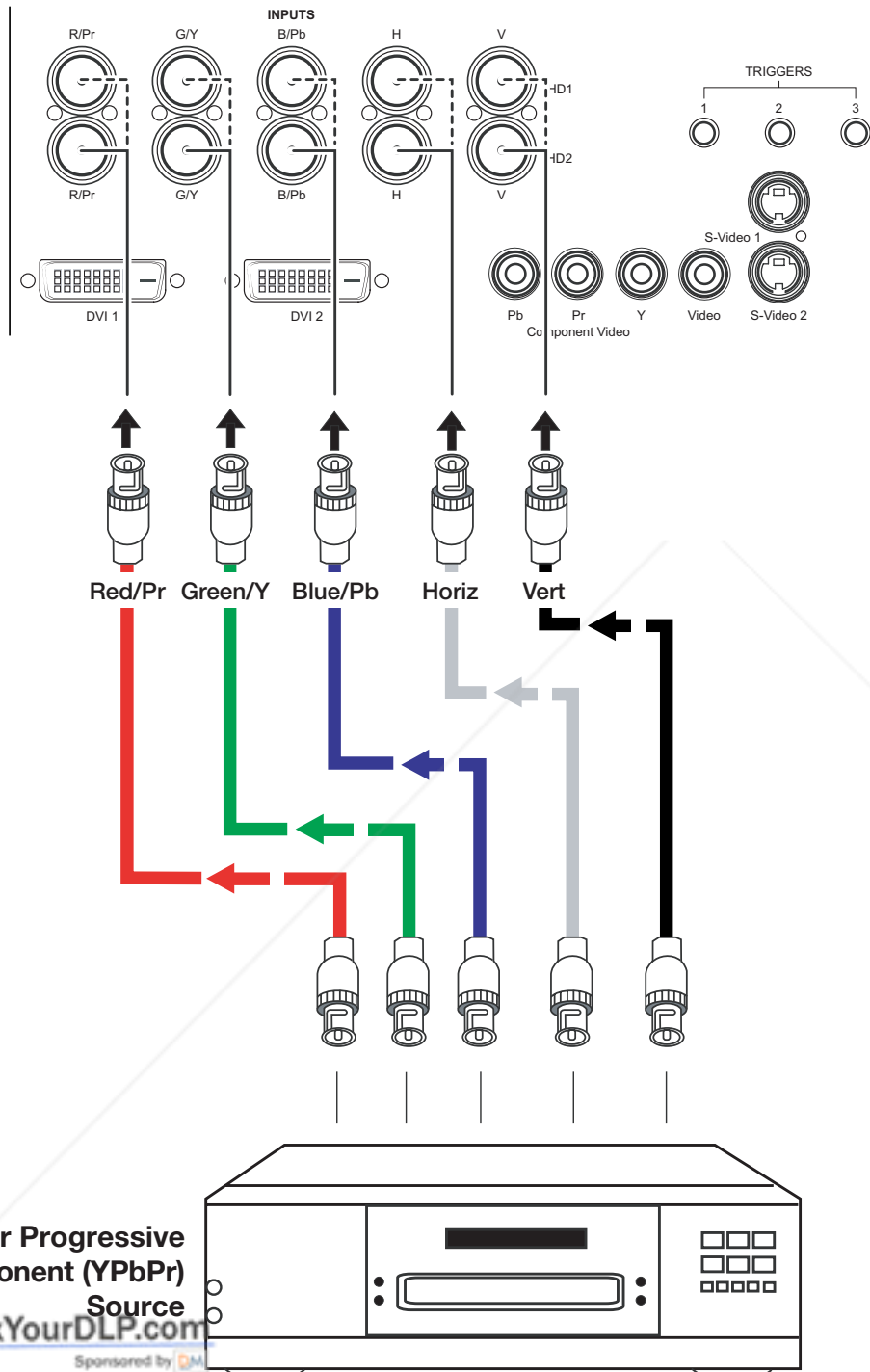


Figure 3-7. DVI Source Connections

Digital (DTV) RGB or Component Video Connections: See Figure 3-8.



DTV or Progressive Component (YPbPr) Source

FixYourDLP.com

Sponsored by DM

Discount-Merchant.com (800) 281-8860

Figure 3-8. Digital (DTV) RGB or Component Video Connections

THE TRUSTED SOURCE FOR PROJECTOR LAMPS AND ACCESSORIES

Analog (Computer) RGB Connections: See Figure 3-9.

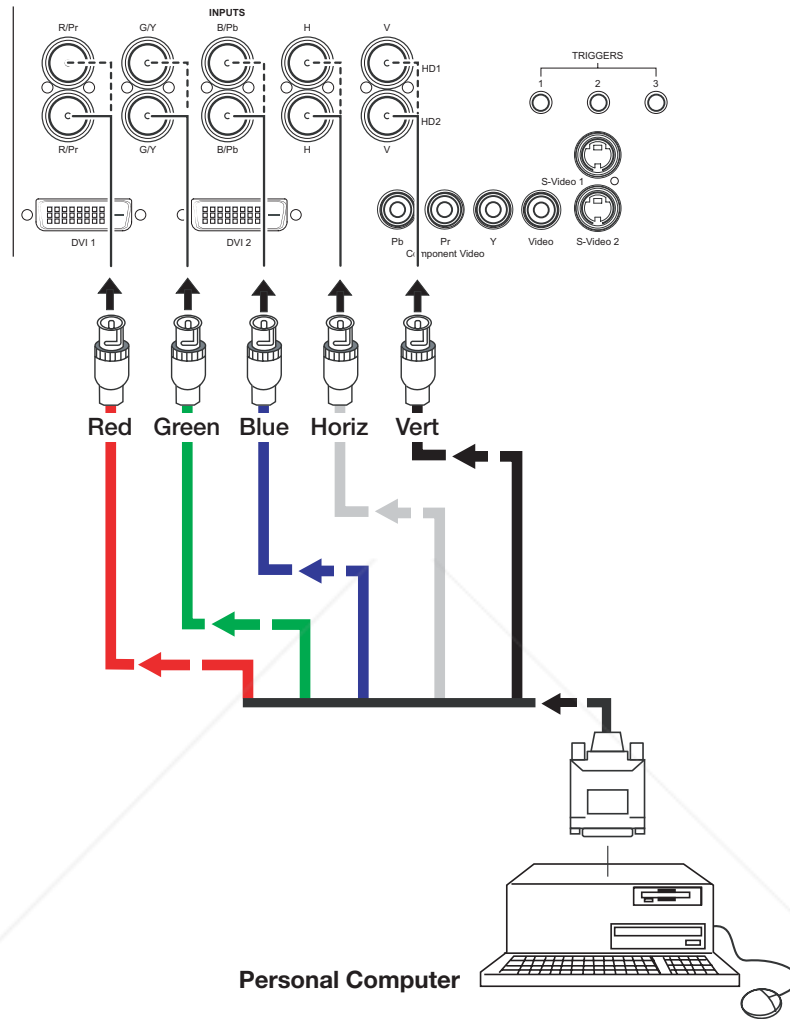
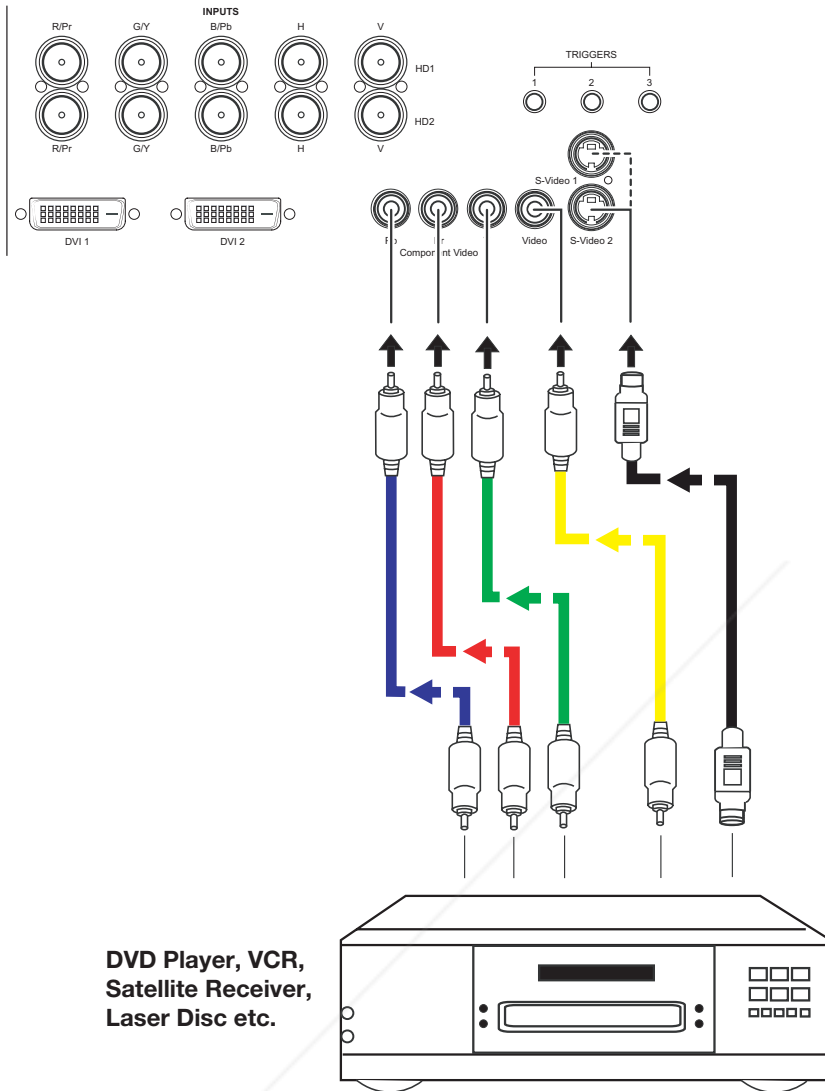


Figure 3-9. Analog RGB Connections

Composite/S-Video/Component Video Connections: See Figure 3-10.



DVD Player, VCR,
Satellite Receiver,
Laser Disc etc.

Figure 3-10. Composite, S-Video and Component Video Connections

RS-232 Controller Connection

Use a standard, 9-pin RS-232 cable to connect a PC or home theater control/automation system (if present) to the RS-232 Control port on the DHD Controller; see Figure 3-11. For more information about using this connection, refer to **Serial Communications** on page 55.

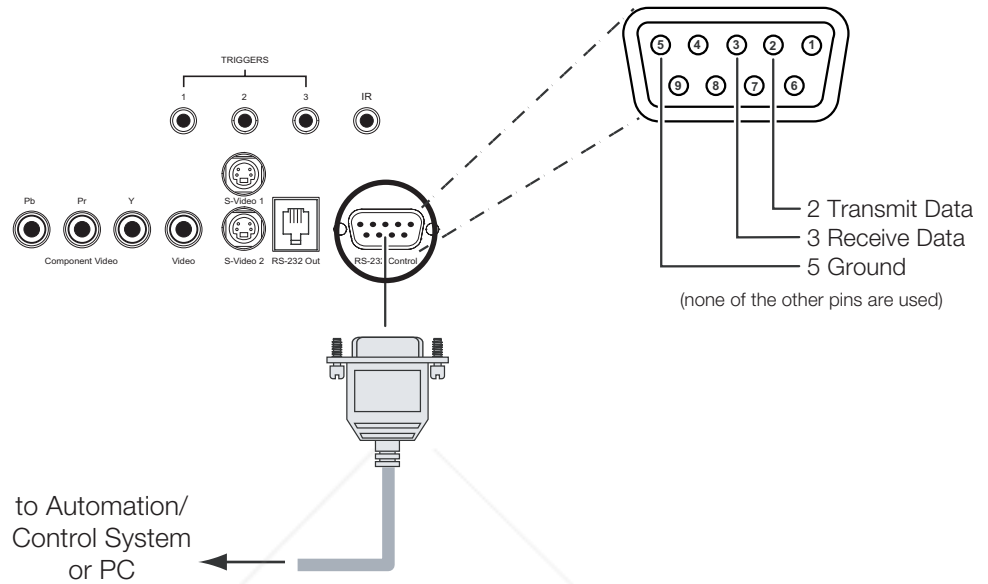


Figure 3-11. RS-232 Control System Connection

Connecting 12-Volt Trigger Outputs to External Theater Components

If your VX-2 is equipped with a CineWide with AutoScope system, or if your home theater contains other devices that respond to 12-volt triggers (such as retractable screens or screen masks), connect them to the 12-volt trigger outputs as shown in Figure 3-12.

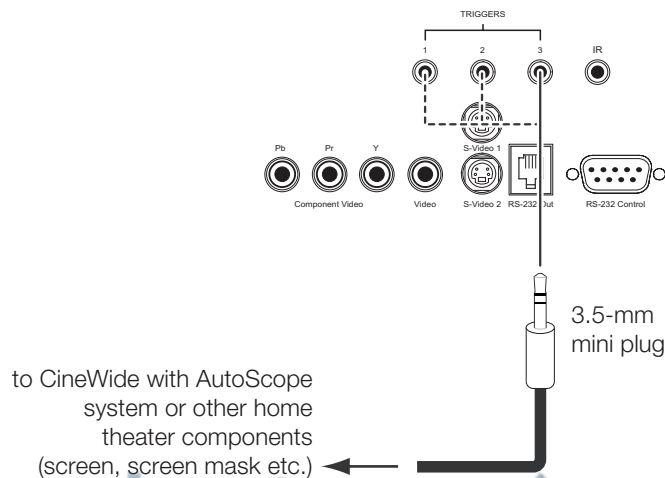


Figure 3-12. Connecting 12-Volt Trigger Outputs



Discount-Merchant.com (800) 281-8860
THE TRUSTED SOURCE FOR PROJECTOR LAMPS AND ACCESSORIES

The VX-2 system includes two (2) AC power cords (one each for the projector and DHD Controller).

◀ **Connecting to AC Power**

Plug the female end of one power cord into the AC receptacle on the rear of the VX-2 (AC 100V ~ 240V). Then, connect the other end to your AC power source. Similarly connect the DHD Controller to a nearby AC outlet.



Discount-Merchant.com (800) 281-8860
THE TRUSTED SOURCE FOR PROJECTOR LAMPS AND ACCESSORIES

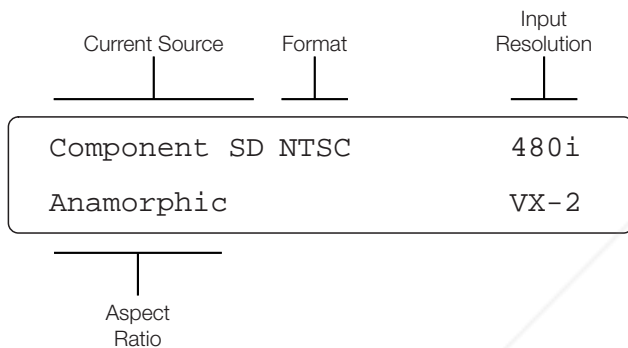
Notes:



Discount-Merchant.com (800) 281-8860
THE TRUSTED SOURCE FOR PROJECTOR LAMPS AND ACCESSORIES

4. Operation

1. Turn on your source components.
2. Turn on the main power switch at the rear of the projector.
3. Turn on the main power switch at the rear of the DHD Controller.
4. Press the **ON** button on the remote control -- or the **POWER** button on the DHD Controller front panel -- to turn on the system. The vacuum fluorescent display on the DHD Controller front panel briefly displays "Starting Display."
5. When the projector is ready for use, the fluorescent display indicates the active source, signal format (NTSC or PAL), input resolution and aspect ratio; for example:



By default, the VX-2 is configured for a "floor/front" installation, in which the projector is installed upright and in front of the screen. If it is installed behind the screen and/or mounted on a ceiling, you must change the picture orientation. To do this:

1. Press **MENU** and enter the Service Menu passcode.
2. Select Service from the Main Menu.
3. Select Display Device from the Service Menu.
4. Select Installation from the Display Device menu.
5. Choose Floor/Rear, Ceiling/Front or Ceiling/Rear, to match the installation method.

4.1 Turning on the Power

4.2 Adjusting the Picture Orientation



Note

You must enter a passcode to access the Service menu.



Discount-Merchant.com (800) 281-8860
THE TRUSTED SOURCE FOR PROJECTOR LAMPS AND ACCESSORIES

4.3 Lens Adjustments

To access the motorized lens controls, select Display Device from the Service Menu, then select Lens from the Display Device menu. The Lens menu gives you a great deal of control over the picture size, position and focus:

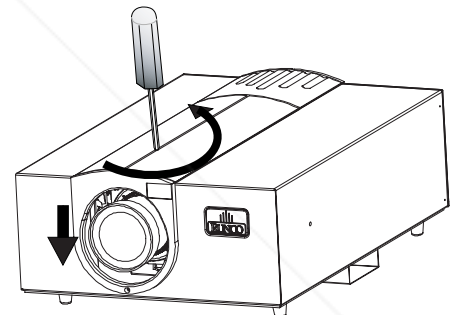
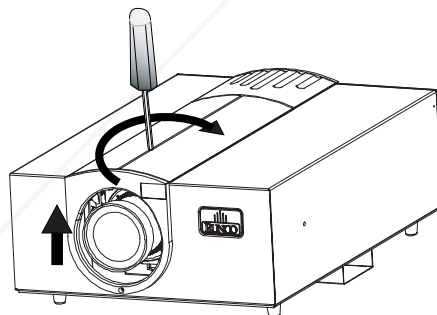
- Focus** ➤ To focus the projected image, use the cursor buttons to highlight "In" or "Out." Then, press and hold the **ENTER** button.
- Zoom** ➤ To make the picture smaller (zoom out), use the cursor buttons to highlight the minus sign (-). Then, press and hold the **ENTER** button.

To enlarge the picture (zoom in), use the cursor buttons to highlight the plus sign (+). Then, press and hold the **ENTER** button.

- Vertical and Horizontal Lens Shift** ➤ **Lens Shift -- VX-2c:** To change the projected image position, use the cursor buttons to highlight "Left," "Right," "Up" or "Down" in the Lens manu. Then, press and hold the **ENTER** button to shift the image in that direction.

Lens Shift -- VX-2dc: To change the projected image position, use the lens adjustment tool provided with the VX-2dc to shift the lens in the desired direction; see Figure 4-1. The vertical lens shift control is at the top of the projector; the horizontal lens shift control is on the side of the projector nearest the Runco logo.

Vertical Lens Shift



Horizontal Lens Shift

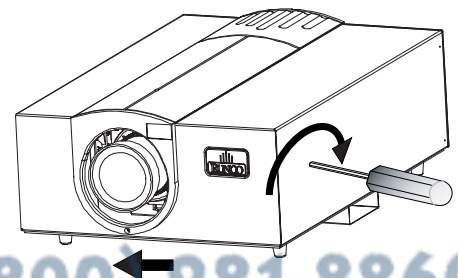
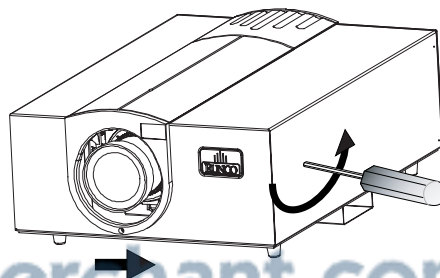


Figure 4-1. VX-2dc -- Vertical and Horizontal Lens Shift Adjustments

Press the **MENU** button on either the remote control or the DHD Controller front panel to display the Main Menu.

To select a menu item, use the ▲ and ▼ buttons on either the remote control or the DHD Controller front panel to highlight it. Press **ENTER** to confirm your selection.

The VX-2 OSD menus are arranged hierarchically, as shown in Figure 4-2.

4.4 Using the On-Screen Menus



Discount-Merchant.com (800) 281-8860
THE TRUSTED SOURCE FOR PROJECTOR LAMPS AND ACCESSORIES

Input Source	Composite
	S-Video 1
	S-Video 2
	Component SD
	HD/RGB 1
	HD/RGB 2
	DVI 1
Aspect Ratio	DVI 2
	Anamorphic
	Standard 4:3
	Letterbox
	VirtualWide
Picture	Cinema
	Virtualwide 2.35
	Brightness
	Contrast
	Color
Input Position	Tint
	Sharpness
	Left/Right
	Up/Down
	Width
ISF Presets	Height
	Overscan
	Recall ISF Night
	Recall ISF Day
	Recall/Save Custom 1
Information (read-only)	Recall/Save Custom 2
	Reset Custom 1 & 2 to Factory Default
	Serial Number
	Hardware
	Firmware
	Date

Note: Virtualwide 2.35 is available only on VX-2 projectors equipped with the CineWide option (secondary anamorphic lens).

Calibration	ISF Night - Display Color	Gain
		Offset
		Gamma
		Lamp Power
	ISF Night - Input Image	Color Temp
		Brightness
		Contrast
		Color
	ISF Night - Input Color	Tint
		Sharpness
		Gain
		Offset
	ISF Day - Display Color	Chroma Delay
		Phase
		Gain
		Offset
	ISF Day - Input Image	Gamma
		Lamp Power
Color Temp		
Brightness		
ISF Day - Input Color	Contrast	
	Color	
	Tint	
	Sharpness	
ISF Day - Input Color	Gain	
	Offset	
	Chroma Delay	
Save ISF Settings	Phase	
Output Shift	Back / Confirm	
	Left/Right	
	Up/Down	
	Width	
	Height	
Splash Configure	Save	
	Owner Name	
	ISF Calibrated	
OSD Position	ISF Other	

Service	Test Video	Grey Bars 1	
		Grey Bars 2	
		Color Bars 1	
		Color Bars 2	
	Input Names	Rename, Restore or Save	
		Remote Control	Primary
		Secondary	
	Display Device	Installation	Picture Orientation
			Lamp Hours (View/Reset)
		Lens	Focus
			Zoom
			Shift (VX-2c ONLY)
		Diagnostics	Red Only
			Green Only
			Blue Only
			75 IRE Color Bars
			100 IRE Color Bars
		Horiz. Grey Ramp	
	Vert. Grey Ramp		
	Checkerboard		
	Alignment Grid		
HD Format	HD/RGB 1	Auto, RGB or YUV	
	HD/RGB 2		
	ADC Bandwidth	Auto, 75 MHz, 150 MHz or 300 MHz	
	YPbPr Input Resolution	Auto, 480i/p, 576i/p, 720p or 1080i	
Triggers	1 / 2 / 3 / Save		
Miscellaneous	Language	English, French, German or Spanish	
	Menu Mode		
	Timeout		
	Side Bar Color		
	Film Mode (SD src. only)		
	Resolution	800x600 ... 1400x1050	
	System Reset	480i ... 720p ... 1080i	
Restore Saved Settings			




FixYourDLP.com
 Sponsor

Discount-Me.com (800) 281-8860
THE TRUSTED SOURCE FOR PROJECTOR LAMPS AND ACCESSORIES

Figure 4-2. DHD Controller OSD Menu Structure for VX-2

The Main Menu is the starting point for accessing all projector functions.

(The Calibration and Service menus are hidden and not accessible until you enter a passcode.)

◀ **Main Menu**

Runco Video	
▶	Input Source
	Aspect Ratio
	Picture
	Input Position
	ISF Presets
	Information
	Calibration
	Service

From the Main Menu, select Input Source to choose a video signal source.

The active source is indicated by an arrow (>) to its left; in the example at left, Composite is the active source.

◀ **Input Source**

Input Source	
>	Composite
	S-Video 1
	S-Video 2
	Component SD
	HD/RGB 1
	HD/RGB 2
	DVI 1
	DVI 2

To change the aspect ratio (size and shape) of the projected image, select Aspect Ratio from the Main Menu and press **ENTER**. Select the appropriate aspect ratio for your screen size and the type of program material being viewed; refer to Table 4-1.

The currently-selected aspect ratio is indicated by a “☒” to its left; in the example at right, Anamorphic is selected.

◀ **Aspect Ratio**

Aspect Ratio	
☒	Anamorphic
<input type="checkbox"/>	Standard 4:3
<input type="checkbox"/>	Letterbox
<input type="checkbox"/>	VirtualWide
<input type="checkbox"/>	Cinema
<input type="checkbox"/>	Virtualwide 2.35



Note

*When you change the aspect ratio, save the change to a preset afterwards. Otherwise, the change will be lost when a different input is selected. (The aspect ratio is saved for each input and resolution separately.) For information about saving settings, refer to **ISF Presets** on page 46.*



Discount-Merchant.com (800) 281-8860
THE TRUSTED SOURCE FOR PROJECTOR LAMPS AND ACCESSORIES

Table 4-1. Aspect Ratio Settings

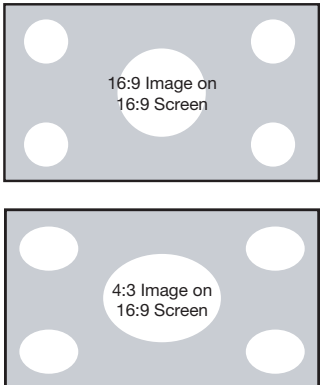


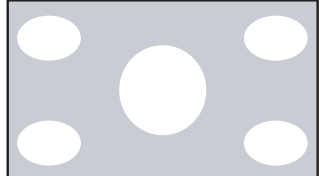
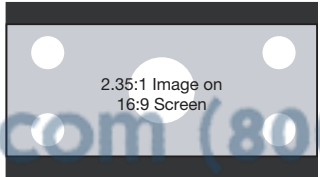
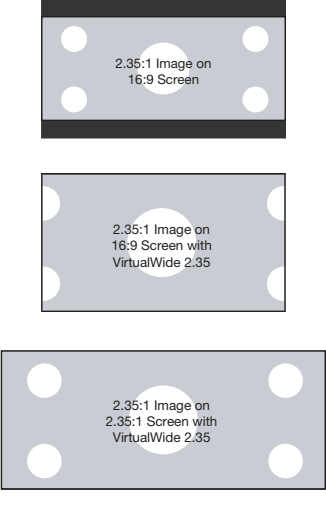
Aspect Ratio	Remote Control Key	Description	
Anamorphic	ANA		<p>Select Anamorphic to view 16:9 DVDs and HDTV programs in their native aspect ratio. 4:3 images are stretched horizontally to fit a 16:9 screen.</p>
Standard 4:3	4X3		<p>Standard 4:3 scales the input signal to fit in the center of the 16:9 screen. 4:3 is the aspect ratio used by computer monitors, standard television programming and most VHS video cassettes.</p>
Letterbox	LET BOX		<p>In Letterbox mode, the image is stretched vertically; the top and bottom portions are “blanked off.” Letterbox is best suited for viewing LaserDisc movies or non-anamorphic DVDs on a 4:3 screen.</p>
VirtualWide	V-WIDE		<p>A 4:3 image is scaled NON-linearly (more on the sides than in the center) to fit a 16x9 screen.</p>
Cinema	CINEMA		<p>Select Cinema to view 2.35 source material on a 16:9 screen. The upper and lower portions of the screen are masked, but the geometry of the active image area is not changed.</p>

Table 4-1. Aspect Ratio Settings (continued)

Aspect Ratio	Remote Control Key	Description	
Virtualwide 2.35	SVC		<p>A 2.35 image is stretched anamorphically in both directions to fill a 16:9 image. (The secondary anamorphic lens then “stretches” the image back to 2.35:1.)</p> <p>Virtualwide 2.35 is available only on VX-2 projectors equipped with the CineWide option.</p>

Use the controls in the Picture Menu to calibrate your VX-2 for optimum picture quality.

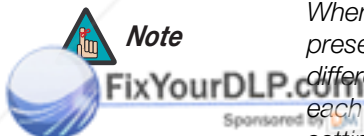
The VX-2 has been designed to incorporate setup and calibration standards established by the Imaging Science Foundation (ISF). The ISF has developed carefully crafted, industry-recognized standards for optimal video performance and has implemented a training program for technicians and installers to use these standards to obtain optimal picture quality from Runco video display devices. Accordingly, Runco recommends that setup and calibration be performed by an ISF certified installation technician.

All signal types require separate processing. Therefore, you need to calibrate each input separately. Runco recommends calibrating the VX-2 inputs in the following order:

1. Component SD
2. S-Video 1 / S-Video 2
3. Composite
4. HD/RGB 1 / HD/RGB 2
5. DVI 1 / DVI 2

◀ **Picture**

Picture
Brightness
Contrast
Color
Tint
Sharpness



Note When you change a picture quality setting, save the change to a preset afterwards. Otherwise, the change will be lost when a different input is selected. (Picture quality settings are saved for each input and resolution separately.) For information about saving settings, refer to **ISF Presets** on page 46.

Discount-Merchant.com (800) 281-8860
THE TRUSTED SOURCE FOR PROJECTOR LAMPS AND ACCESSORIES

Although it may be possible to obtain satisfactory picture quality using the naked eye and regular program material, Runco recommends using the following calibration tools for best results:

- External test pattern source -- Ovation Multimedia, Digital Video Essentials or AVIA test DVD or equivalent.
- A blue filter (provided with many test DVDs), for color level and tint adjustments.

Connect your test pattern source to the input that you are calibrating and proceed as follows. **Perform the adjustments in the order listed here.**

Brightness: On your external test pattern source, select a PLUGE pattern. (PLUGE is an acronym for "Picture Line-Up Generation Equipment.") Figure 4-3 shows a typical PLUGE pattern.

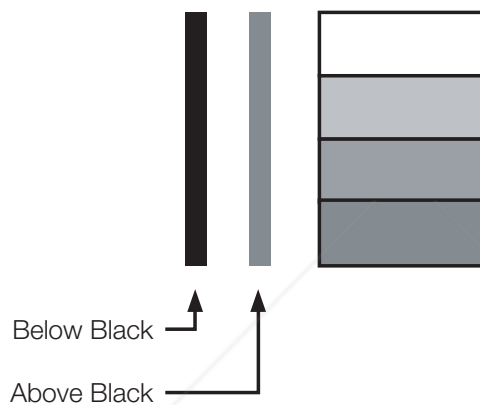


Figure 4-3. Typical PLUGE Pattern for Adjusting Brightness

PLUGE patterns vary but generally consist of some combination of black, white and gray areas against a black background. The example above includes two vertical bars and four shaded boxes.

Select Brightness from the Picture menu and press **ENTER**. Adjust the brightness so that:

- The darkest black bars disappear into the background.
- The dark gray areas are barely visible.
- The lighter gray areas are clearly visible.
- The white areas are a comfortable level of true white.
- The image contains only black, gray and white (no color).

Contrast: On your external test pattern source, select a stepped, gray-bar pattern like the one shown in Figure 4-4.

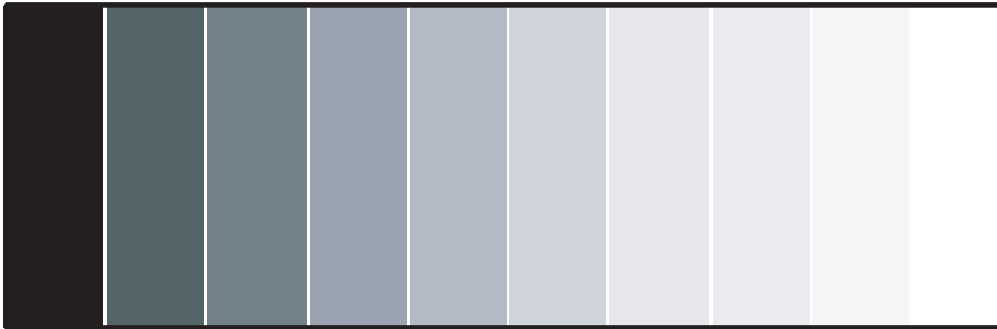


Figure 4-4. Typical Gray Bar Pattern for Adjusting Contrast

Select Contrast and press **ENTER**. Adjust the contrast to a point just below which the white rectangle starts to increase in size.



Note

Brightness and contrast controls are interactive. A change to one may require a subtle change to the other in order to achieve the optimum setting.

Color Saturation: On your external test pattern source, select a color bar pattern like the one shown in Figure 4-5.

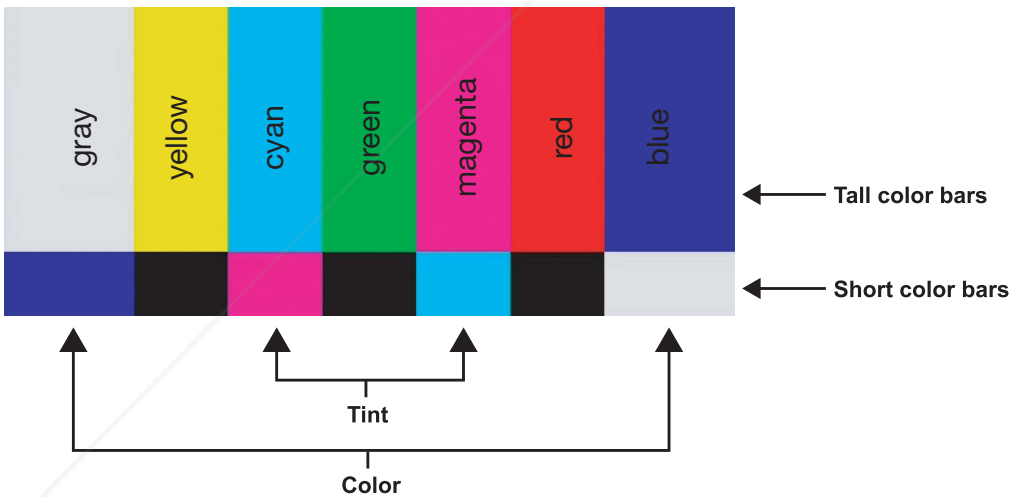
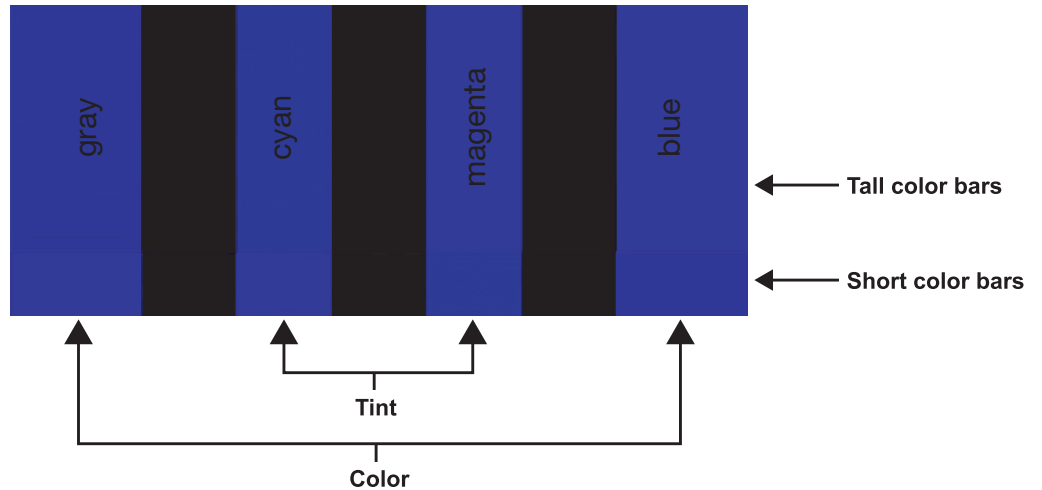


Figure 4-5. Typical Color Bar Pattern for Adjusting Color Saturation and Tint

Discount-Merchant.com (800) 281-8860
 THE TRUSTED SOURCE FOR PROJECTOR LAMPS AND ACCESSORIES

Select Color and press **ENTER**. While looking at the color bar pattern through a blue filter, adjust the color saturation level until the outermost (gray and blue) color bars appear to be a single shade of blue:



Tint: Tint or “hue” is essentially the ratio of red to green in the color portion of the image. When tint is decreased, the image appears redder; when it is increased the image appears greener. To set the tint, select Tint and press **ENTER**. While looking at the color bar pattern through a blue filter, adjust the tint level until the cyan and magenta color bars (on either side of the green bar) appear to be a single shade of blue.



Note

Like the brightness and contrast controls, the color and tint controls are interactive. A change to one may require a subtle change to the other in order to achieve the optimum setting.

Sharpness: “Sharpness” is the amount of high-frequency detail in the image. To adjust sharpness, select Sharpness from the Picture menu and press **ENTER**. On your external test pattern source, select a pattern like the one shown in Figure 4-6. Adjust as needed, looking for white edges around the transitions from black to gray and differently-sized lines in the “sweep” patterns at the top and bottom. Lower the sharpness setting to eliminate them.

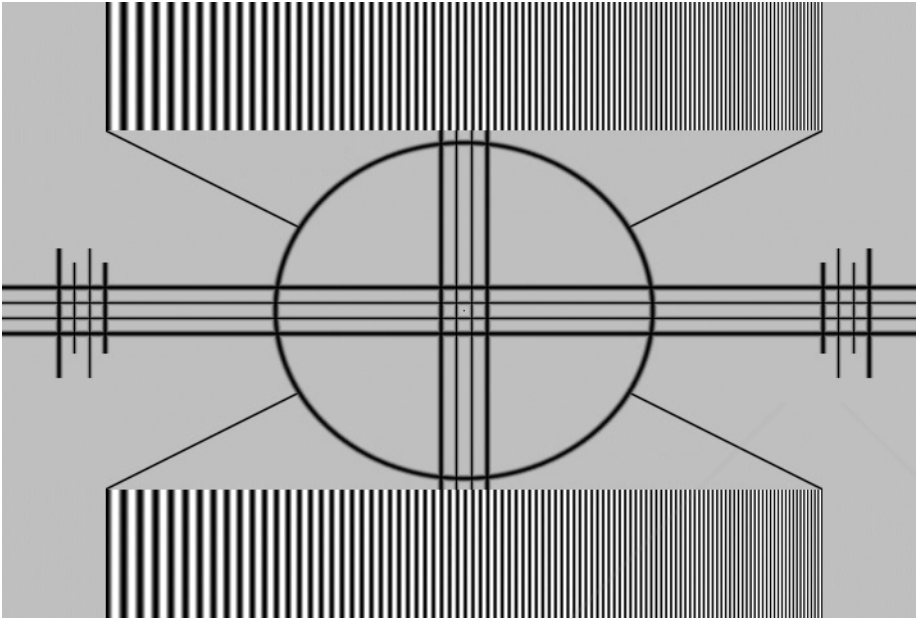


Figure 4-6. Typical Test Pattern for Adjusting Sharpness

Use the controls in the Input Position Menu to fine-tune the aspect ratio and image position for the current source.

◀ **Input Position**

Input Position
Left/Right
Up/Down
Width
Height
Overscan



Note

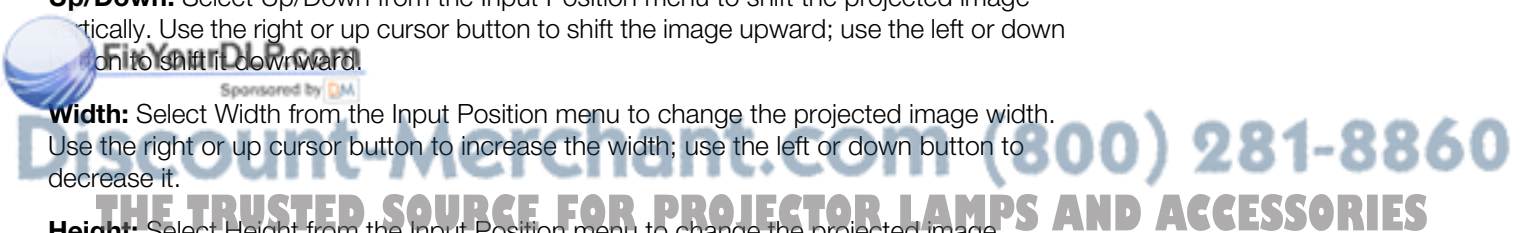
*When you change an input position setting, save the change to a preset afterwards. Otherwise, the change will be lost when a different input is selected. (The input position settings are saved for each input and resolution separately.) For information about saving settings, refer to **ISF Presets** on page 46.*

Left/Right: Select Left/Right from the Input Position menu to shift the projected image horizontally. Use the right or up cursor button to shift the image to the right; use the left or down button to shift it to the left.

Up/Down: Select Up/Down from the Input Position menu to shift the projected image vertically. Use the right or up cursor button to shift the image upward; use the left or down button to shift it downward.

Width: Select Width from the Input Position menu to change the projected image width. Use the right or up cursor button to increase the width; use the left or down button to decrease it.

Height: Select Height from the Input Position menu to change the projected image height. Use the right or up cursor button to increase the height; use the left or down button to decrease it.



Overscan: Image Overscan pushes the outside edge of the active picture area of the video signal out beyond the edge of the display area.

Some television programs are produced based on the assumption that older television sets may not display the outer edges of the broadcast picture area. Over scan effectively trims away these inactive, outer edges and enlarges the remaining portion of the image to fill the display area.

Select from 1% to 10% of Overscan, as desired.

For HDTV, DVDs and other video sources, Overscan is generally not necessary or desirable.

ISF Presets ➤



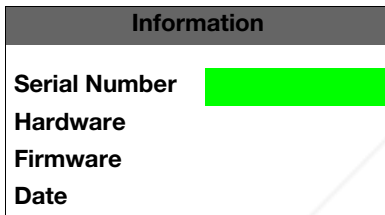
For each input, the VX-2 lets you save image quality settings as presets that you can recall at a later time. You can create up to four presets per input and resolution. Use the ISF Presets menu to recall saved image presets, or to save image settings in the “Custom 1” or “Custom 2” memory location. The currently-selected preset is indicated by a “☒” to its left; in the example shown here, ISF Night is selected.

You should save changes to any of the following settings to a preset; otherwise they will be lost when a new input source or resolution is selected:

- Aspect ratio
- Picture quality settings (brightness, contrast, color saturation, tint and sharpness)
- Input position (image position, width, height and overscan percentage)

To reset the Custom 1 and Custom 2 image presets to their factory defaults, select Factory Default and press **ENTER**.

Information ➤



Select Information from the Main Menu to see information that uniquely identifies your projector: its serial number, the installed hardware and firmware versions and the firmware version build date. Should you ever need to contact Runco Technical Support, this information will help them answer your questions or resolve product performance issues.



Discount-Merchant.com (800) 281-8860
THE TRUSTED SOURCE FOR PROJECTOR LAMPS AND ACCESSORIES

Use the Calibration menu to perform advanced picture quality adjustments. **This menu should be used by ISF-certified technicians only.**

◀ **Calibration**



You must enter a passcode to access the Calibration menu.

To recall the ISF Night or ISF Day settings, select “ISF Night” or “ISF Day” from the ISF Presets menu (see above).

ISF Night - Display Color: Use the Display Color settings to change the characteristics of the output signal. These settings are global (independent of any particular input).

- **Gain:** Use the Gain controls to correct color imbalances in the bright areas of the image. A good way to do this is to use a test pattern consisting mostly of solid white areas, such as an 80 IRE “window” pattern. If the white areas contain traces of red, green or blue, decrease the Gain for that color.
- **Offset:** Use the Offset controls in the White Balance sub-menu to correct color imbalances in the dark areas of the image. A good way to do this is to use a test pattern consisting mostly of dark gray areas, such as a 30 IRE “window” pattern. If the gray areas contain traces of red, green or blue, decrease the Offset for that color.
- **Gamma:** “Gamma” is a global setting that determines how gray shades are displayed between minimum input (black) and maximum input (white) for all signals. A good gamma setting helps to optimize blacks and whites while ensuring smooth transitions for the “in-between” values utilized in other grays. Unlike “Brightness” and “Contrast” controls, the overall tone of your images can be lightened or darkened without changing the extremes and all images will be more vibrant while still showing good detail in dark areas.

In all but the most unusual situations, the appropriate “Color Temp” selection (see below) will produce accurate colors and a satisfying contrast level. However, it is sometimes necessary to adjust the red, blue and green gamma curves individually. To do this, select Gamma from the Display Color sub-menu and use the left- and right-arrow buttons to manipulate the on-screen slidebars.

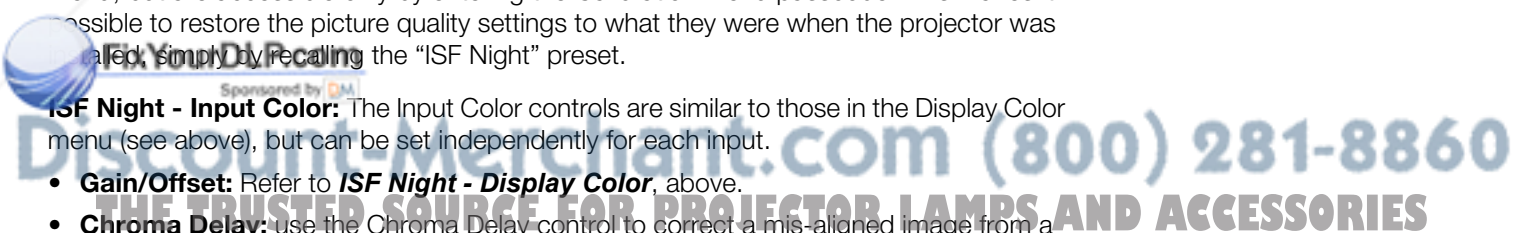
- **Lamp Power:** Select Lamp Power from the Display Color Menu to adjust the lamp output level. You can choose to run the lamp as bright as possible (“1”; this is the default setting) or you can choose the lower setting (“0”). Generally, lower lamp output can prolong the life of the lamp, but decreases brightness.
- **Color Temp:** Select Color Temp from the Display Color menu to adjust the color temperature. The default setting is appropriate for most situations. Higher settings produce a “bluer” picture.

ISF Night - Input Image: The Input Image controls are similar to those in the Picture menu, but are accessible only by entering the Calibration menu passcode. This makes it possible to restore the picture quality settings to what they were when the projector was installed. Simply by recalling the “ISF Night” preset.

ISF Night - Input Color: The Input Color controls are similar to those in the Display Color menu (see above), but can be set independently for each input.

- **Gain/Offset:** Refer to **ISF Night - Display Color**, above.
- **Chroma Delay:** use the Chroma Delay control to correct a mis-aligned image from a Composite, S-Video or Component video source. Chroma delay in an image causes color shifts to occur to the left of the vertical edge transitions, producing artificial shadows or a “halo” effect. If necessary, adjust this setting to eliminate them.

Calibration
ISF Night
Display Color
Input Image
Input Color
ISF Day
Display Color
Input Image
Input Color
Save ISF Settings
Output Shift
Splash Configure
OSD Position



- **Phase:** Adjust the phase if the image (usually from an RGB source) shows shimmer or “noise.” Pixel phase adjusts the phase of the pixel sampling clock relative to the incoming signal. The effect of this control is similar to that of a tracking control on a VCR.

For best results, use a good test pattern such as a smooth gray consisting of a clear pattern of black and white pixels, or a similar “half on, half off” graphic image. (You may notice that you can stabilize the image at more than one point. Use either setting in this case.)

ISF Day - Display Color: Refer to *ISF Night - Display Color*.

ISF Day - Input Image: Refer to *ISF Night - Input Image*.

ISF Day - Input Color: Refer to *ISF Night - Input Color*.

Save ISF Settings: Whenever you make a change to the ISF settings, you should always save it. Select Save ISF Settings from the ISF Calibration menu to do this. In the event you ever have to perform a System Reset, you can restore the saved ISF settings by selecting Restore Saved Settings in the Service menu. (System Reset and Restore Saved Settings are described on page 51.)

Output Shift: The controls in the Output Shift menu are similar to those in the Input Position menu, except that they change the characteristics of the output signal (so the change is visible no matter which input is selected). You can set these controls independently for each aspect ratio.

To save the Output Shift settings for the current aspect ratio so that they can be restored after a System Reset (described on page 51), press ▼ repeatedly to highlight “Save.” Then, press **ENTER**.

Splash Configure: Use the Splash Configure menu to customize the appearance of the start-up message that appears on the vacuum fluorescent display upon power-up. You can have the VX-2 display the owner’s name, your name, the phrase “ISF Calibrated” and/or any other string, up to 20 characters in length.

Use the up or down cursor button to select a character. Use the right and left cursor buttons to change the cursor position. Press MENU when you have finished entering text. Then, check the “Splash Enable” box to have the VX-2 display the information you enter here when it is turned on.

OSD Position: Select OSD Position, press ENTER and use the arrow buttons to change the size and position of the OSD controls.



Discount-Merchant.com (800) 281-8860
THE TRUSTED SOURCE FOR PROJECTOR LAMPS AND ACCESSORIES

Use the Service menu to access advanced projector configuration settings. **This menu should be used by ISF-certified technicians only.**

◀ **Service**



Note

You must enter a passcode to access the Service menu.

Test Video: Select Test Video from the Service Menu to access the internal test patterns on the VX-2. Four patterns are available, consisting of white/gray or colored bars.

Press **MENU** to exit test pattern mode.

Service	
Test Video	
Input Names	
Remote Control	
Analog Out Mode	
Display Device	
HD Format	
Triggers	
Miscellaneous	
Resolution	
System Reset	
Restore Saved Settings	

Input Names: You can give each DHD Controller input a descriptive name. For example, you may want to change the default input name to the type of source component connected to it: "VCR," "DVD," "Laptop" et cetera. Composite, S-Video and Component SD input names can be up to 12 characters long; the others can be up to eight characters long.

To edit an input name, select Input Names from the Service menu. Press ▲ or ▼ to select an input and press **ENTER**. Use the ▲ or ▼ buttons to change a character; press ◀ or ▶ to select a character to change. When you have finished editing the input name, press **MENU**.

To restore the default input name, press ▼ repeatedly to highlight that input name in the "Restore" column. Then, press **ENTER**.

To save input names so that they can be restored after a System Reset (described on page 51), press ▼ repeatedly to highlight "Save." Then, press **ENTER**.

Input Names	
	Restore
Composite	Composite
S-Video 1	S-Video 1
S-Video 2	S-Video 2
Component SD	Component SD
HD/RGB 1	HD/RGB 1
HD/RGB 2	HD/RGB 2
DVI 1	DVI 1
DVI 2	DVI 2
Save	



Note

The ▼ button takes you from top to bottom in the left column, then from top to bottom in the right column. To highlight "Save," scroll through both columns.

Remote Control: The Remote Control menu shows you the primary and secondary infrared (IR) codes to which the VX-2 will respond. By default, both are set to 17. You can change these codes if either:

- Another device in the theater (a DVD player, for example) is responding to commands from the VX-2 remote control in ways that are unpredictable or undesirable.
- You have multiple VX-2 projectors and want to control them independently, as opposed to broadcasting commands from a single remote to all of them. In this scenario, you can use multiple remotes programmed to use different IR codes. Or, you can use a single remote and change the IR code as needed to address a specific projector.



Tip

Use the rear-panel keypad to change a projector IR code. Then, change the code sent by the remote to match as described below.

FixYourDLP.com
 Discount-Merchant.com (800) 281-8860
 THE TRUSTED SOURCE FOR PROJECTOR PARTS AND ACCESSORIES

When you change a remote code on the VX-2, you must re-program your remote control to send that same code. To do this:

1. Using a straightened paper clip or similar object, press and hold the **CODE** button on the remote control for approximately three seconds, or until the red LED on the remote lights solid red.
2. Enter a new two-digit code between 00 and 31 inclusive. Include a leading zero for single-digit codes; for example, enter 9 as "09."
3. The LED turns off to confirm the code change. If you enter an invalid code, the LED flashes for three or four seconds. Try again, entering a valid code.

Display Device: The options in the Display Device menu allow you to change the picture orientation, reset the lamp timer, perform lens adjustments and access additional test patterns.

- **Installation:** Select Installation from the Display Device menu to change the picture orientation to suit the method of installation (Floor Front, Floor Rear, Ceiling Front or Ceiling Rear).

This menu page also displays the number of hours that the lamp has been in service, and lets you reset the counter (which is recommended after you replace the lamp; refer to **Lamp Replacement** on page 53).

- **Lens:** Select Lens from the Display Device menu to access the motorized lens controls. Refer to **Lens Adjustments** on page 36.
- **Diagnostics:** Select Diagnostics from the Service menu to access additional test patterns for calibration or measurement purposes:
 - Select **Red, Green** or **Blue** to display only the selected color (simulating a filter of that color).
 - Select **75** or **100** to display color bars (75 IRE or 100 IRE).
 - Select **Horz** or **Vert** to display a horizontal or vertical gray ramp.
 - Select **Checks** to display a 15-segment checkerboard pattern.
 - Select **Align** to display a white grid against a black background (useful for verifying proper image or screen alignment).

HD Format: If the characteristics of the incoming signal on the HD1 or HD2 inputs are known, select HD Format from the Service menu and set them as described below. Doing so can reduce the time it takes the DHD Controller to switch from HD to 480i signals or vice versa.

HD Format	
HD/RGB 1	Auto
HD/RGB 2	Auto
ADC Bandwidth	Auto
YPbPr Input Resolution	

This is generally not necessary unless the DHD Controller -- for whatever reason -- has difficulty determining the color space (RGB or YUV), bandwidth or resolution of the incoming HD signal. In most situations, the **Auto** settings work well.

- **HD/RGB 1 and HD/RGB 2 (Color Space):** Select Auto, RGB or YUV.
- **ADC Bandwidth:** Select Auto, 75 MHz, 150 MHz or 300 MHz.
- **YPbPr Input Resolution:** Select Auto or specify the input resolution, if known: 480i, 480p, 576i, 576p, 720p or 1080i.



Discount-Merchant.com (800) 281-8860
THE TRUSTED SOURCE FOR PROJECTOR LAMPS AND ACCESSORIES

Triggers: Select Triggers from the Service menu to configure the 12-volt trigger outputs. You can assign one or more trigger outputs to each aspect ratio. Those triggers are then activated by selecting that aspect ratio.

If your projector is equipped with the Runco CineWide with AutoScope system, assign at least one trigger output (the same one to which the lens motor is connected) to the Cinema and Virtualwide 2.35 aspect ratios.

To save the trigger settings so that they can be restored after a System Reset (described below), press ▼ repeatedly to highlight “Save.” Then, press **ENTER**.

Miscellaneous: Select Miscellaneous from the Service menu to set the following options:

- **Language:** Select Language from the Miscellaneous menu and press the up- or down-arrows to select the OSD Language (English, French, Spanish or German).
- **Menu Mode:** This is the manner in which the OSD menus appear and disappear when you press MENU. Choose one of the following:
 - 0 = No transition; menus abruptly appear and disappear.
 - 1 = Menus fade in and out.
 - 2 = “Checkerboard” dissolve; menus appear and disappear in sections.
 - 3 = “Window shade” effect; menus are drawn on a diagonal from top left to bottom right, and retract in the opposite direction.
- **Timeout - Short/Long:** These settings control how long the OSD menus stay on screen. Select a time-out period of from 2 to 60 seconds.
- **Side Bar Color:** This controls the color of the inactive image area. The range is from -100 (black) to 100 (white).

The inactive image area is on either side of the active image area when using the Standard 4:3 aspect ratio, and above and below the active image area when using the Letterbox aspect ratio.

- **Film Mode:** Enable Film Mode to smooth out moving images from interlaced, standard-definition (SD) sources. In most cases, the VX-2 detects the proper “pull-down” rate and vertical frequency. However, if your source is jittery and/or tearing you may wish to enable Film Mode to ensure stable processing for that source.

Resolution: The DHD Controller defaults to an output resolution of 720p. When using the VX-2 with a computer or certain HD sources, you may want to force the DHD Controller to use a different output resolution. If so, select Resolution from the Service menu and choose one. Then, press **ENTER** to confirm.

System Reset: To reset ALL projector and controller settings (including image settings) back to their factory defaults, choose System Reset from the Service menu.

A confirmation message appears, reminding you to save your settings before you perform the reset, so that you can restore them afterwards. If you have done this, select Confirm to continue with the reset. Otherwise, click Back to cancel.



FixYourDLP.com

Caution

This action is not undoable. Proceed with caution! Before you perform a System Reset, save ALL settings, including “Custom” ISF Presets (page 46), ISF Day/Night presets (page 48), Output Shift settings (page 48), Input Names (page 49) and Trigger settings (see above).

Discworld Projectors (800) 281-8860
THE TRUSTED SOURCE FOR PROJECTOR LAMPS AND ACCESSORIES

Restore Saved Settings: Following a System Reset, select Restore Saved Settings to apply all previously-saved settings to the projector and DHD Controller.

Notes:



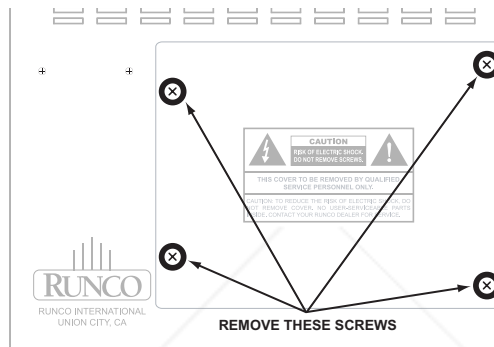
Discount-Merchant.com (800) 281-8860
THE TRUSTED SOURCE FOR PROJECTOR LAMPS AND ACCESSORIES

5. Maintenance and Troubleshooting

The lamp should be replaced when it reaches the end of its life (typically 2000 hours), or sooner if a noticeable degradation in brightness occurs. Contact your Runco dealer to obtain a replacement lamp.

5.1 Lamp Replacement

1. Turn off the projector and unplug the power cord. Allow the projector to cool down for approximately 45 minutes prior to removing the lamp assembly for replacement.
2. Loosen the four rear Lamp Cover screws and remove the cover.



3. Remove the two lamp assembly mounting screws.
4. Grasp the lamp assembly handle and pull gently, removing the lamp module from the projector housing.
5. Install the new lamp module.
6. Replace the lamp cover and re-tighten all screws.
7. Reset the Lamp Hour counter. To do this, select Service from the Main Menu, then Display Device, then Installation. Use the cursor buttons to highlight Reset under "Lamp Hours" and press **ENTER**.

5.2 Troubleshooting Tips

Table 5-1 provides some general guidelines for troubleshooting problems you may encounter with the VX-2. If you encounter an issue not described here, please contact Runco Technical Support.

Table 5-1. Troubleshooting Chart

Symptom	Possible Cause(s)	Solution
The projector does not turn on after initial installation. The power LED on the front of the DHD Controller lights red after you press the power button.	<ul style="list-style-type: none"> The DHD Controller is connected to the VX-2 incorrectly or not at all. The VX-2 is not plugged in or the AC outlet is not active. 	<ul style="list-style-type: none"> Verify the DVI cable connection from the DHD Controller to the VX-2. Ensure that the VX-2 is plugged in and that the AC outlet is active.
The projector and DHD Controller are both on, but there is no video image on-screen.	<ul style="list-style-type: none"> Incorrect source selection. Source component is not turned on. 	<ul style="list-style-type: none"> Select the correct source. Turn on the source.
A projected image from a DVD is split or otherwise scrambled.	<ul style="list-style-type: none"> DVD player is connected to the Component input and set to progressive scan mode. 	<ul style="list-style-type: none"> Turn off progressive scan on the DVD player. Or, connect the DVD player to the HD1 or HD2 input.
Image is too bright and/or lacks definition in the bright areas of the image.	<ul style="list-style-type: none"> Contrast is set too high. 	<ul style="list-style-type: none"> Lower the contrast setting.
Image appears "washed out" and/or dark areas appear too bright.	<ul style="list-style-type: none"> Brightness is set too high. 	<ul style="list-style-type: none"> Lower the brightness setting.
Colors in the image are swapped; for example, reds appear blue or vice versa.	<ul style="list-style-type: none"> The Red/Pr, Green/Y or Blue/Pb outputs from the source are connected to the wrong inputs on the DHD Controller. 	<ul style="list-style-type: none"> Ensure that the source outputs are connected to the correct DHD Controller input.
The projector will not turn back on after it was powered down, or the image disappears during operation.	<ul style="list-style-type: none"> The projector will not turn on for two minutes after power-down, to protect the lamp. The lamp has failed. 	<ul style="list-style-type: none"> Wait two minutes until the LED at the front of the DHD Controller turns red. Replace the lamp.



Discount-Merchant.com (800) 281-8860
THE TRUSTED SOURCE FOR PROJECTOR LAMPS AND ACCESSORIES

6. Serial Communications

To interface the DHD Controller with a home theater automation/control system or a PC running terminal emulation software, connect it to your control system or PC as shown in Figure 3-11.

Configure the RS-232 controller or PC serial port as follows: no parity, 8 data bits, 1 stop bit and no flow control. Set the baud rate to 19200, to match that of the DHD Controller RS-232 port.

Serial commands to the DHD Controller take the following form:

- Commands are not case-sensitive.
- For a single command that takes no parameters, type the command followed by a carriage return; for example, to set the aspect ratio to Letterbox, type `LETTERBOX <Enter>`.
- For a single command that takes a parameter, type the command, a space or a comma and the desired value followed by a carriage return; for example, to set the brightness to -10, type `BRIGHTNESS -10 <Enter>` or `BRIGHTNESS,-10 <Enter>`.
- You can also send a string of multiple commands on a single line, separated by commas. For example, `COMPOSITE,BRIGHTNESS 100,ANAMORPHIC <Enter>` switches to the Composite video input, sets the brightness to 100 and sets the aspect ratio to Anamorphic. Command strings can be up to 255 characters long.

Table 6-1 lists the RS-232 command set. The “Parameter (min/max)” column shows the valid parameter ranges, or “NA” for commands that take no parameters.

When you enter a valid command, the DHD Controller executes it and acknowledges it with a plus sign on the command line (+ >). When you enter an invalid command -- one that is misspelled or followed by values outside the valid range for that command -- the DHD Controller ignores it and returns a minus sign (- >).

Table 6-1. Serial Commands

Command	Parameter (min/max)	Value Stored?	Description
Power On/Off Commands			
OFF	NA	NA	Turns projector off
ON	NA	NA	Turns projector on
POWER 0/1	0/1	NA	Turns projector on and off
POWER?	NA	NA	Returns power status

6.1 RS-232 Connection and Port Configuration

6.2 Serial Command Syntax

Table 6-1. Serial Commands (continued)

Command	Parameter (min/max)	Value Stored?	Description
Input Selection Commands			
COMPONENT	NA	YES	Selects the Component input
COMPOSITE	NA	YES	Selects the Composite video input
DVI1	NA	YES	Selects the DVI 1 input
DVI2	NA	YES	Selects the DVI 2 input
HD1	NA	YES	Selects the RGB HD 1 input
HD2	NA	YES	Selects the RGB HD 2 input
INPUT?	NA	NA	Returns active input
SVIDEO1	NA	YES	Selects the S-Video 1 input
SVIDEO2	NA	YES	Selects the S-Video 2 input
Aspect Ratio Commands			
ANAMORPHIC	NA	YES	Selects the Anamorphic aspect ratio
ASPECT?	NA	NA	Returns current aspect ratio
ASPECTIN?	NA	NA	Returns the input source aspect ratio
ASPECTOUT?	NA	NA	Returns output screen size
CINEMA	NA	YES	Selects the Cinema aspect ratio
LETTERBOX	NA	YES	Selects the Letterbox aspect ratio
STANDARD	NA	YES	Selects the Standard (4:3) aspect ratio
VIRTUALWIDE	NA	YES	Selects the VirtualWide aspect ratio
VIRTUAL235	NA	YES	Selects the Virtualwide 2.35 aspect ratio
OUT169	NA	YES	Sets the output screen to 1.78:1 (16:9)
OUT235	NA	YES	Sets the output screen to 2.35:1

Table 6-1. Serial Commands (continued)

Command	Parameter (min/max)	Value Stored?	Description
Picture Adjust Commands			
BRIGHTNESS	-100/100	YES	Sets a value for brightness
BRIGHTNESS?	NA	NA	Returns brightness setting value
COLOR	-100/100	YES	Sets a value for color
COLOR?	NA	NA	Returns color setting value
CONTRAST	-100/100	YES	Sets a value for contrast
CONTRAST?	NA	NA	Returns contrast setting value
TINT	-100/100	YES	Sets a value for tint
TINT?	NA	NA	Returns tint setting value
SHARPNESS	-6/6	YES	Sets a value for sharpness
SHARPNESS?	NA	NA	Returns sharpness setting value
Image Preset Commands			
CUSTOM1	NA	YES	Loads "Custom 1" image preset
CUSTOM2	NA	YES	Loads "Custom 2" image preset
DAY	NA	YES	Loads "ISF Day" image preset
NIGHT	NA	YES	Loads "ISF Night" image preset
PRESET?	NA	NA	Returns currently-selected preset (ISF Day, ISF Night, Custom 1 or Custom 2)



Discount-Merchant.com (800) 281-8860
THE TRUSTED SOURCE FOR PROJECTOR LAMPS AND ACCESSORIES

Table 6-1. Serial Commands (continued)

Command	Parameter (min/max)	Value Stored?	Description
Input Position Commands			
IHEIGHT	-100/100	YES	Sets the value for input height
IHEIGHT?	NA	NA	Returns input height value
IHPOS	-100/100	YES	Sets a value for horizontal input position
IHPOS?	NA	NA	Returns input horizontal position value
IVPOS	-100/100	YES	Sets a value for vertical input position
IVPOS?	NA	NA	Returns input vertical position value
IWIDTH	-100/100	YES	Sets the value for input width
IWIDTH?	NA	NA	Returns input horizontal width value
OVERSCAN	0/10	YES	Sets the overscan percentage
OVERSCAN?	NA	NA	Returns overscan percentage
Output Shift Commands			
OHEIGHT	-100/100	YES	Sets the value for output height
OHEIGHT?	NA	NA	Returns output height value
OHPOS	-100/100	YES	Sets the value for output horizontal position
OHPOS?	NA	NA	Returns output horizontal position value
OVPOS	-100/100	YES	Sets the value for output vertical position
OVPOS?	NA	NA	Returns output vertical position value
OWIDTH	-100/100	YES	Sets the value for output width
OWIDTH?	NA	NA	Returns output horizontal width value

Table 6-1. Serial Commands (continued)

Command	Parameter (min/max)	Value Stored?	Description
Miscellaneous Commands			
BKGND	-100/100	YES	Sets the background color for letterbox or 4:3 aspect ratio (-100 = black; 100 = white)
BKGND?	NA	NA	Returns background setting value
DATE?	NA	NA	Returns projector manufacture date
HWVER?	NA	NA	Returns hardware version number
INRES?	NA	NA	Returns input resolution
LENS1	0 or 4	YES	Set primary lens configuration: 0 = No anamorphic lens present 4 = Anamorphic lens present
LENS1?	NA	NA	Returns Lens 1 configuration
LENS2	0 or 8	YES	Set anamorphic lens type: 0 = Fixed CineWide 8 = CineWide with AutoScope
LENS2?	NA	NA	Returns Lens 2 configuration
OUTRES?	NA	NA	Returns output resolution
PHASE	0/3	YES	Adjusts phase
PHASE?	NA	NA	Returns phase setting value
SWVER?	NA	NA	Returns software version number
TRIGGER	1/3	YES	Assigns trigger to currently-selected aspect ratio



Discount-Merchant.com (800) 281-8860
THE TRUSTED SOURCE FOR PROJECTOR LAMPS AND ACCESSORIES

Notes:



Discount-Merchant.com (800) 281-8860
THE TRUSTED SOURCE FOR PROJECTOR LAMPS AND ACCESSORIES

7. Specifications

Table 7-1 lists the VX-2 specifications.

Table 7-1. VX-2 Specifications

Projector Type:	Digital Light Processing (DLP), 3-chip, 16:9 SuperOnyx DMD
Native Resolution:	1280 x 720 (16:9)
Aspect Ratios:	Refer to Table 7-2
Video Standards:	Refer to Table 7-2
DTV Compatibility:	480p, 720p, 1080i
Scan Frequency:	Horizontal: 15 - 100 kHz Vertical: 28 - 78 Hz
Picture Size (16:9 Screen):	Recommended Width: 72 - 120 in. Maximum Width: 250 in.
Throw Distance (Factor x Screen Width):	VX-2c: Refer to Table 3-3 VX-2dc: Refer to Table 3-4
Horizontal and Vertical Offset:	VX-2c/Proteus A: None VX-2c/Proteus B, C, D, E, F: Horizontal: 10% of screen width left or right Vertical: 80% of screen height down; 0% up VX-2dc: Refer to Table 3-5
Lamp:	275 Watts
Estimated Lamp Life:	2000 hours
Inputs:	(1) DVI with HDCP (from DHD Controller)
Controls:	Built-in keypad

7.1 VX-2 Specifications



Discount-Merchant.com (800) 281-8860
THE TRUSTED SOURCE FOR PROJECTOR LAMPS AND ACCESSORIES

Table 7-1. VX-2 Specifications (continued)

Brightness and Contrast:

Cinema Standards Measurement System (CSMS) Specifications

- Brightness: 52.1 foot-Lamberts (fL) (VX-2c); 57.6 foot-Lamberts (fL) (VX-2dc)
- Contrast Ratio: 271:1 (VX-2c); 304:1 (VX-2dc)

These measurements are taken from the projector in a controlled, home theater environment. All measurements are made to ANSI/NAPM IT7.228-1997 specifications using the Photo Research PR-650 SpectraColorimeter and Minolta LS-100 Luminance Meter, Video Essentials test DVD and a 1.3 gain, 72-inch wide screen. The projector is calibrated to a color temperature of 6,500K and has a minimum of 150 hours of usage.

The foot-Lambert (fL) is the unit of measurement used in commercial movie theaters to express image brightness at the screen surface. The Society of Motion Picture and Television Engineers (SMPTE) specifies 16 fL as the target image brightness for film-based projectors using an open gate (without film in the projector). More importantly, today SMPTE specifies 12 fL as the target image brightness in Digital Cinema theaters. The foot-Lambert measurement is dependent on screen size, screen gain and projector light output.

Home Theater Calibration Specifications

- Light Output: 1227 ANSI Lumens (VX-2c); 1389 ANSI Lumens (VX-2dc)
- Contrast Ratio: 271:1 (VX-2c); 304:1 (VX-2dc)

These specifications are obtained by calibrating the projector as described above for CSMS measurements.

Industry-Standard Specifications

- Light Output: 2500 ANSI Lumens (VX-2c); 2800 ANSI Lumens (VX-2dc)
- Contrast Ratio: 3100:1 (VX-2c); 3500:1 (VX-2dc)

These are typical projector brightness and contrast specifications found in most companies' sales literature. Runco includes these measurements in its literature to allow for direct comparison with other manufacturers' projectors. These measurements are typically taken at 9,000K to 13,000K to get expected performance data when the projector is used in professional, commercial and industrial displays.

Power Requirements:	100 to 240 VAC (auto-sensing), 50/60 Hz, 510 Watts
Operating Environment:	41°F to 95°F (5°C to 35°C), 0% to 90% humidity (non-condensing)
Dimensions:	VX-2c: See Figure 7-1 VX-2dc: See Figure 7-2
Weight (without lens):	VX-2c: 81 lbs. (36.74 kg) VX-2dc: 83 lbs. (37.65 kg)
Regulatory Approvals:	Complies with FCC, CE C-Tick
Limited Warranty:	Projector: Two (2) years parts and labor from the date of delivery to the end user. Lamp: 1000 hours or six (6) months, whichever comes first.

Specifications are subject to change without notice.



Discount-Merchant.com (800) 281-8860
THE TRUSTED SOURCE FOR PROJECTOR LAMPS AND ACCESSORIES

Table 7-2 lists the DHD Controller specifications.

Table 7-2. DHD Controller Specifications

Aspect Ratios:	4:3, Letterbox, 16:9 Anamorphic, VirtualWide, Cinema, VirtualWide 2.35
Video Standards:	NTSC, PAL
Output Resolution:	720p
Inputs:	(1) Composite; (2) S-Video; (1) Component; (2) HD-R (Pr), G (Y), B (Pb), H, V; (2) DVI with HDCP
Outputs:	(1) HD-R (Pr), G (Y), B (Pb), H, V (not used with the VX-2) (1) DVI-I with HDCP
Control Options:	<ul style="list-style-type: none"> - Discrete infrared remote - Serial commands via RS-232 - Front-panel controls
RS-232 Communication Parameters:	19200 bps, no parity, 8 data bits, 1 stop bit, no flow control
Trigger Outputs:	(3) +12 VDC, each rated at 750 mA and thermal fuse-protected
Bandwidth:	150 Mega Samples per Second (MSPS)
Power Requirements:	100 to 240 VAC (auto-sensing), 50/60 Hz, 160 Watts
Operating Environment:	41°F to 95°F (5°C to 35°C), 0% to 90% humidity (non-condensing)
Dimensions:	Width = 17.50 inches (444.5 mm) Depth = 11.19 inches (284.1 mm) Height = 3.75 inches (95.3 mm)
Weight:	13.0 lbs. (5.90 kg)
Regulatory Approvals:	Complies with FCC, CE C-Tick
Limited Warranty:	Two (2) years parts and labor from the date of delivery to the end user.

Specifications are subject to change without notice.

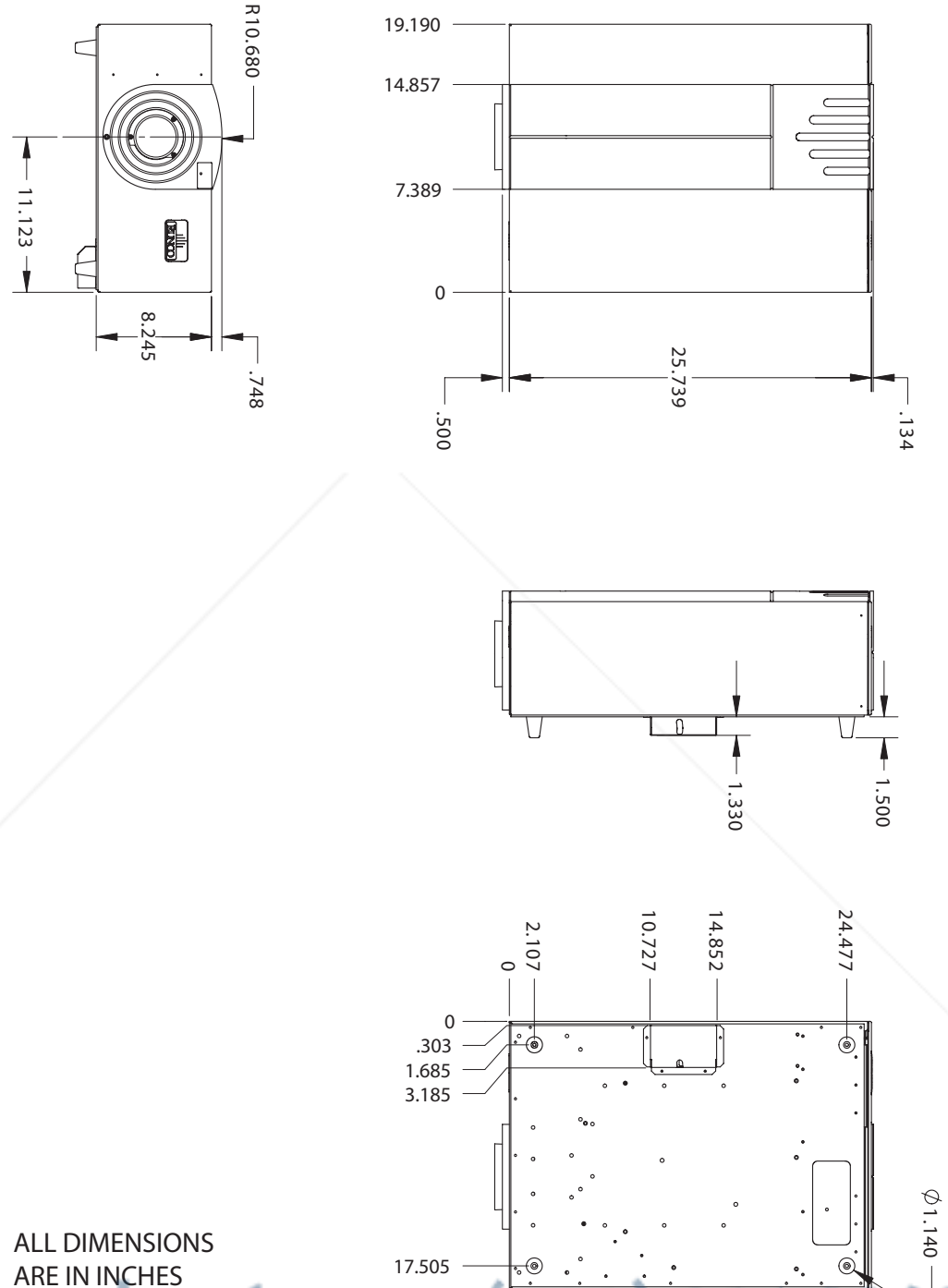
7.2 DHD Controller Specifications



Discount-Merchant.com (800) 281-8860
THE TRUSTED SOURCE FOR PROJECTOR LAMPS AND ACCESSORIES

7.3 VX-2c Dimensions

Figure 7-1 shows the VX-2c dimensions.



ALL DIMENSIONS
ARE IN INCHES



Discount-Merchant.com (800) 281-8860
THE TRUSTED SOURCE FOR PROJECTOR LAMPS AND ACCESSORIES

Figure 7-1. VX-2c Dimensions

Figure 7-2 shows the VX-2dc dimensions.

7.4 VX-2dc Dimensions

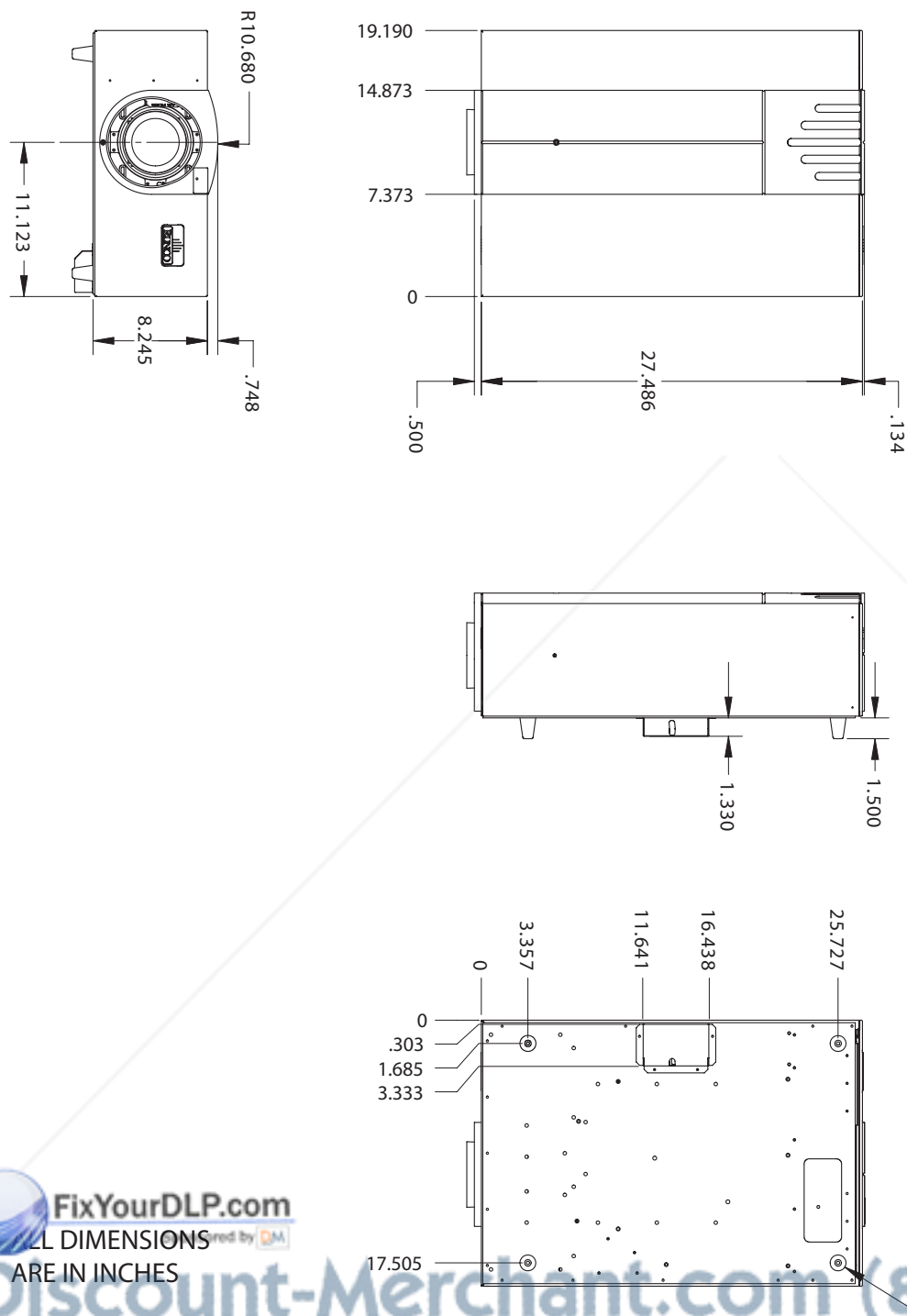


Figure 7-2. VX-2dc Dimensions

FixYourDLP.com
ALL DIMENSIONS ARE IN INCHES

Discount-Merchant.com (800) 281-8860

THE TRUSTED SOURCE FOR PROJECTOR LAMPS AND ACCESSORIES

Notes:



Discount-Merchant.com (800) 281-8860
THE TRUSTED SOURCE FOR PROJECTOR LAMPS AND ACCESSORIES

Appendix A. VX-2 Color Gamut Adjustment



Note

Only ISF-trained and -certified technicians should attempt this procedure!

For most applications, the Display Color controls in the Calibration menu are adequate for producing accurate and realistic colors from a variety of sources.

In rare cases, though, you may need more precise control over the VX-2 display color gamut (range). For example, you may require a unique color gamut for a given projector or application. In such cases, you can access the VX-2's color gamut controls directly (as opposed to going through the DHD Controller). This enables you to define the precise hue of each primary color component (white, red, green and blue) used to generate the millions of colors produced in displays. You do this by specifying x and y coordinates for each primary color component.

The x and y coordinates for each color define its location on the standard CIE chromaticity graph, shown in Figure A-1. (CIE stands for "Commission Internationale de l'Éclairage" (International Commission on Illumination), the organization responsible for color measurement and management standards.)

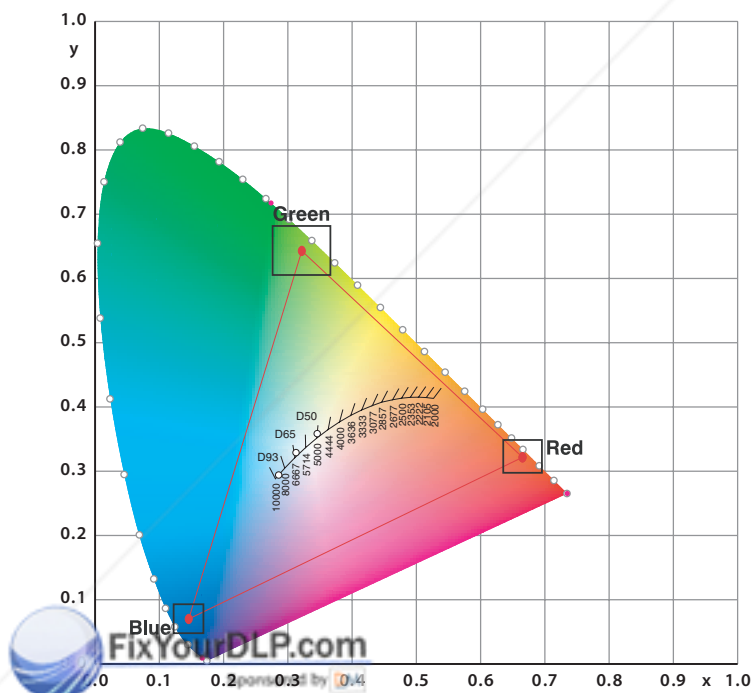


Figure A-1. CIE 1931 Chromaticity Diagram

Changing either or both of these numbers changes the hue of the color and relocates the "triangle" for possible colors. For example, changing the x/y coordinates for red moves the color closer to either orange or violet, which in turn affects all displayed colors having a red component.

A.1 Required Hardware and Software

To perform these adjustments, you need a computer-based color analyzer or hand-held colorimeter capable of CIE x/y measurements.

A.2 Equipment Setup

Position your colorimeter or color analyzer so that the lens or sensor is approximately six (6) to 12 inches from the screen, facing it at a slight angle (upward or to one side). Doing so will include the color of the screen in the calibration.

A.3 Adjusting the Gamut

1. Press **MENU** on the projector's built-in keypad.
2. Using the **UP** and/or **DOWN** (**▲** / **▼**) arrow buttons, select Advanced from the Main menu and press **ENTER**.
3. Using the **UP** and/or **DOWN** arrow buttons, select Color from the Advanced menu and press **ENTER**.
4. Using the **UP** and/or **DOWN** arrow buttons, select Gamut from the Color menu and press **ENTER**.

5. Press **ENTER** again to select "Manual." The VX-2 displays a white field on the screen and the current x and y coordinates for white on the vacuum fluorescent display.

Manual: White X=0.313	<--
White Y=0.329	

6. Using the color analyzer, measure the x and y coordinates for about 15 seconds. Make a note of the results.
7. Proceed as follows to change the x and y coordinates to the values you obtained in Step 6:
 - a. On the projector keypad, press **ENTER** to select the first digit to the right of the decimal point of the x-coordinate for white.
 - b. Use the **UP** or **DOWN** arrow to adjust the value. Then, use the **LEFT** arrow (**◀**) button to select the second digit.
 - c. Use the **UP** or **DOWN** arrow to adjust the value. Then, use the **LEFT** arrow button to select the third digit.
 - d. Use the **UP** or **DOWN** arrow to adjust the value.
 - e. Press **ENTER**.
 - f. Press the **UP** arrow button to select "White Y=0.xxx."
 - g. Repeat Steps 7a through 7e to adjust the y-coordinate for white.
8. Press the **UP** arrow button to select "Red X=0.xxx."
9. Repeat Steps 6 and 7 for red, green and blue.
10. Press the **MENU** button **twice** to return to the Color menu.
11. Using the **UP** and/or **DOWN** arrow buttons, select Color Temp. from the Color menu and press **ENTER**.
12. Select Temp. 5000 and go back to Temp. 6500. Press **ENTER**.

13. Press the **MENU** button **twice** to return to the Advanced menu.
14. Using the **UP** and/or **DOWN** arrow buttons, select Diagnose from the Advanced menu and press **ENTER**.
15. Select Normal and press **ENTER**.
16. Press the **MENU** button three times to exit the menu system. The VX-2 stores the new x and y coordinates and returns to normal operation.

When you have completed the gamut adjustments, proceed with the Display Color adjustments; refer to **Calibration** on page 47.



Discount-Merchant.com (800) 281-8860
THE TRUSTED SOURCE FOR PROJECTOR LAMPS AND ACCESSORIES

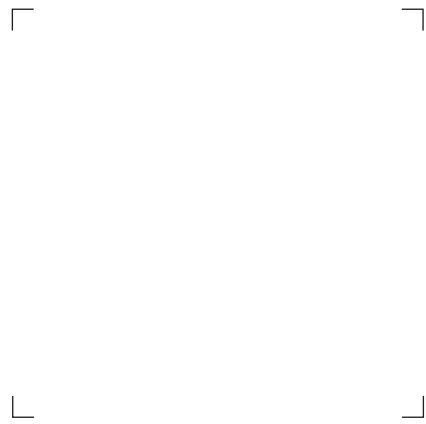
Notes:



Discount-Merchant.com (800) 281-8860
THE TRUSTED SOURCE FOR PROJECTOR LAMPS AND ACCESSORIES



Discount-Merchant.com (800) 281-8860
THE TRUSTED SOURCE FOR PROJECTOR LAMPS AND ACCESSORIES



SERIAL NUMBER
RUMA-010120
rev 02-17-06 v6.0

Discount-Merchant.com (800) 281-8860

THE TRUSTED SOURCE FOR PROJECTOR LAMPS AND ACCESSORIES

Runco International • 2900 Faber Street • Union City, CA 94587 • Ph (510) 324-7777 / (800) 23RUNCO / Fax (510) 324-9300

www.runco.com



Disclaimer

This user manual is provided as a free service by FixYourDLP.com. FixYourDLP is in no way responsible for the content of this manual, nor do we guarantee its accuracy. FixYourDLP does not make any claim of copyright and all copyrights remain the property of their respective owners.

About FixYourDLP.com

FixYourDLP.com (<http://www.fixyourdpl.com>) is the World's #1 resource for media product news, reviews, do-it-yourself guides, and manuals.

Informational Blog: <http://www.fixyourdpl.com>

Video Guides: <http://www.fixyourdpl.com/guides>

User Forums: <http://www.fixyourdpl.com/forum>

FixYourDLP's Fight Against Counterfeit Lamps:

<http://www.fixyourdpl.com/counterfeits>

Sponsors:

RecycleYourLamp.org – Free lamp recycling services for used lamps:

<http://www.recycleyourlamp.org>

Lamp Research - The trusted 3rd party lamp research company:

<http://www.lampresearch.com>

Discount-Merchant.com – The worlds largest lamp distributor:

<http://www.discount-merchant.com>



FixYourDLP.com

Sponsored by 